

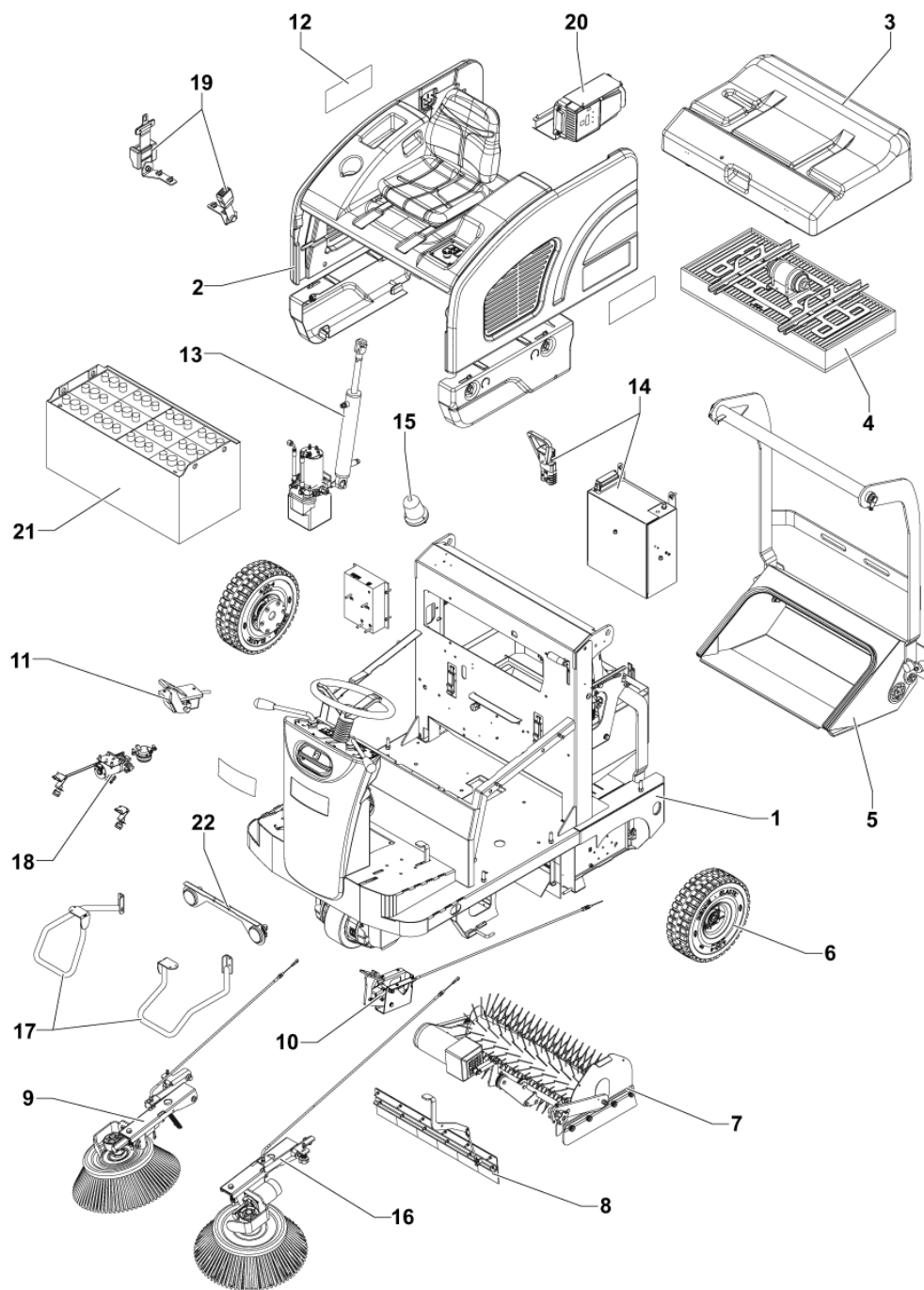
PARTS LIST



2021.05.17

TABLE OF CONTENTS

GENERAL VIEW	1
ELECTRIC SYSTEM - UNTIL S/N 3810162100037	3
EXTENSIBLE ARM	5
FRAME 1	7
FRAME 2	9
SEAT COVER	11
LATERAL COVERS	13
ELECTRIC WHEEL	15
MOTOR WHEEL	17
RIGHT BROOM	19
LEFT BROOM	21
FRAME SYSTEM 1	23
FRAME SYSTEM 2	25
MAIN BROOM	27
BROOM CLOSING	29
MAIN BROOM ADJUSTMENT	31
FRONT LIFT FLAP	33
VACUUM SYSTEM	35
PANEL FILTER	37
LIFTING ARMS	39
HOPPER SYSTEM	41
PEDAL BRAKE	43
ACCELERATOR PEDAL	45
STEERING COLUMN	47
BROOM LEVERS	49
CONTROL PANEL	51
CONTROL PANEL COVER	53
ELECTRIC SYSTEM	55
HYDRAULIC SYSTEM	57
BATTERIES	59
FLOOR MAT AND BEACON	61
ACCESSORIES 1	63
ACCESSORIES 2	65
ACCESSORIES 3	67
ACCESSORIES 4	69
ACCESSORIES 5	71
WIRING DIAGRAM	73
RECOMMENDED SPARE PARTS	75
OPTIONALS AND ACCESSORIES	78



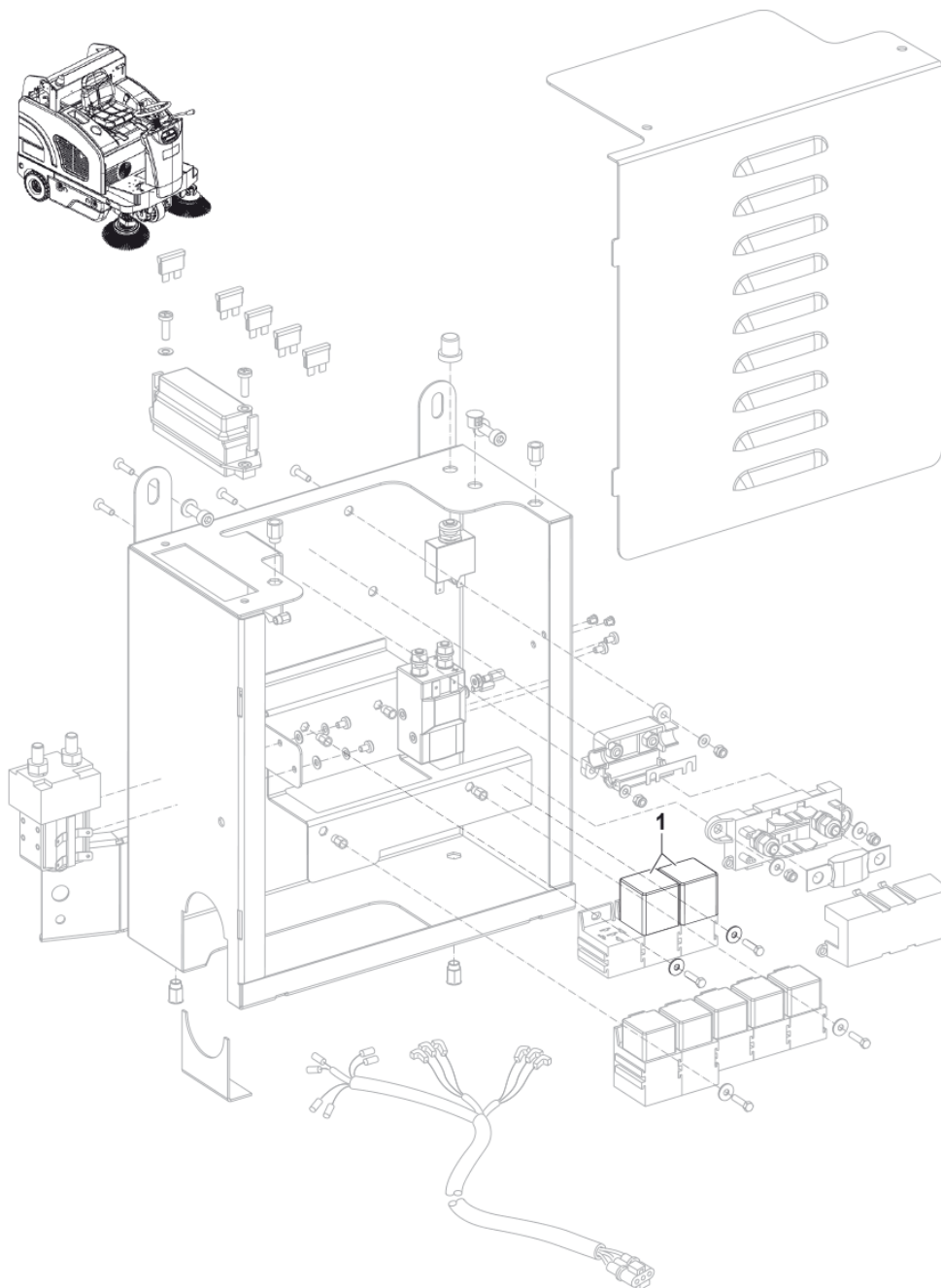
GENERAL VIEW

SW4000 B NIL

2017.11.02

2014.01.09

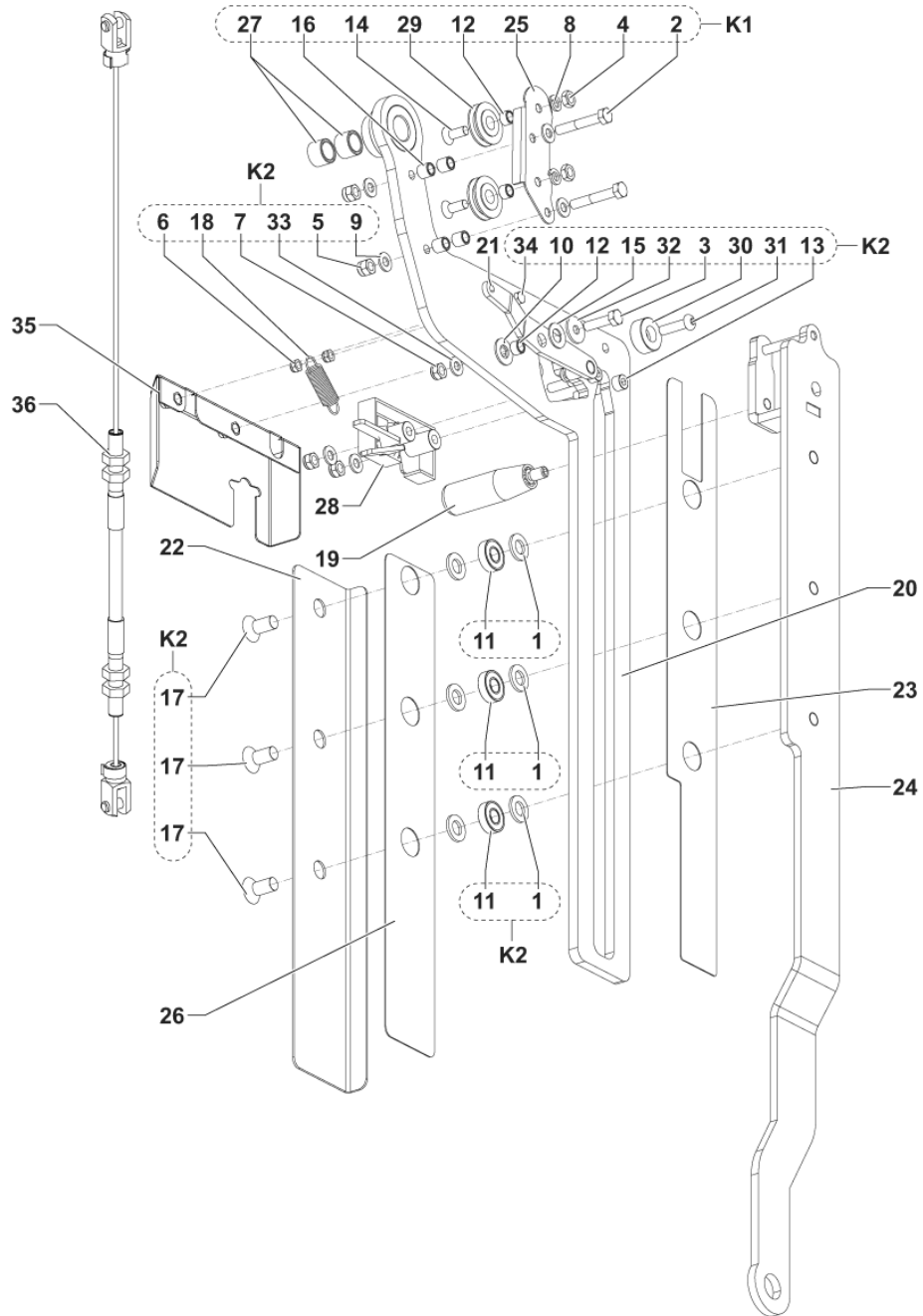
No.	Part No.	Qty.	Description	Part Note
1			CHASSIS ASSY	
2			COVERS AND COFFINS ASSY	
3			VACUUM COVER ASSY	
4			PANEL FILTER ASSY	
5			HOPPER ASSY	
6			REAR WHEELS ASSY	
7			CENTRAL BROOM ASSY	
8			FRONT FLAP ASSY	
9			RIGHT BROOM ASSY	
10			BRAKE PEDAL ASSY	
11			ACCELERATOR PEDAL ASSY	
12	1464639000	1	DECALS SW4000 B NILFISK	
13			HYDRAULIC SYSTEM ASSY	
14			ELECTRIC SYSTEM ASSY	
15			FLASHING LIGHT ASSY	
16			LEFT BROOM ASSY	
17			SIDE BROOM GUARD ASSY	
18			DUSTGUARD SYSTEM ASSY	
19			SAFETY BELTS ASSY	
20			BATTERY CHARGER ASSY	
21			BATTERY ASSY	
22			WORKING LIGHT ASSY	



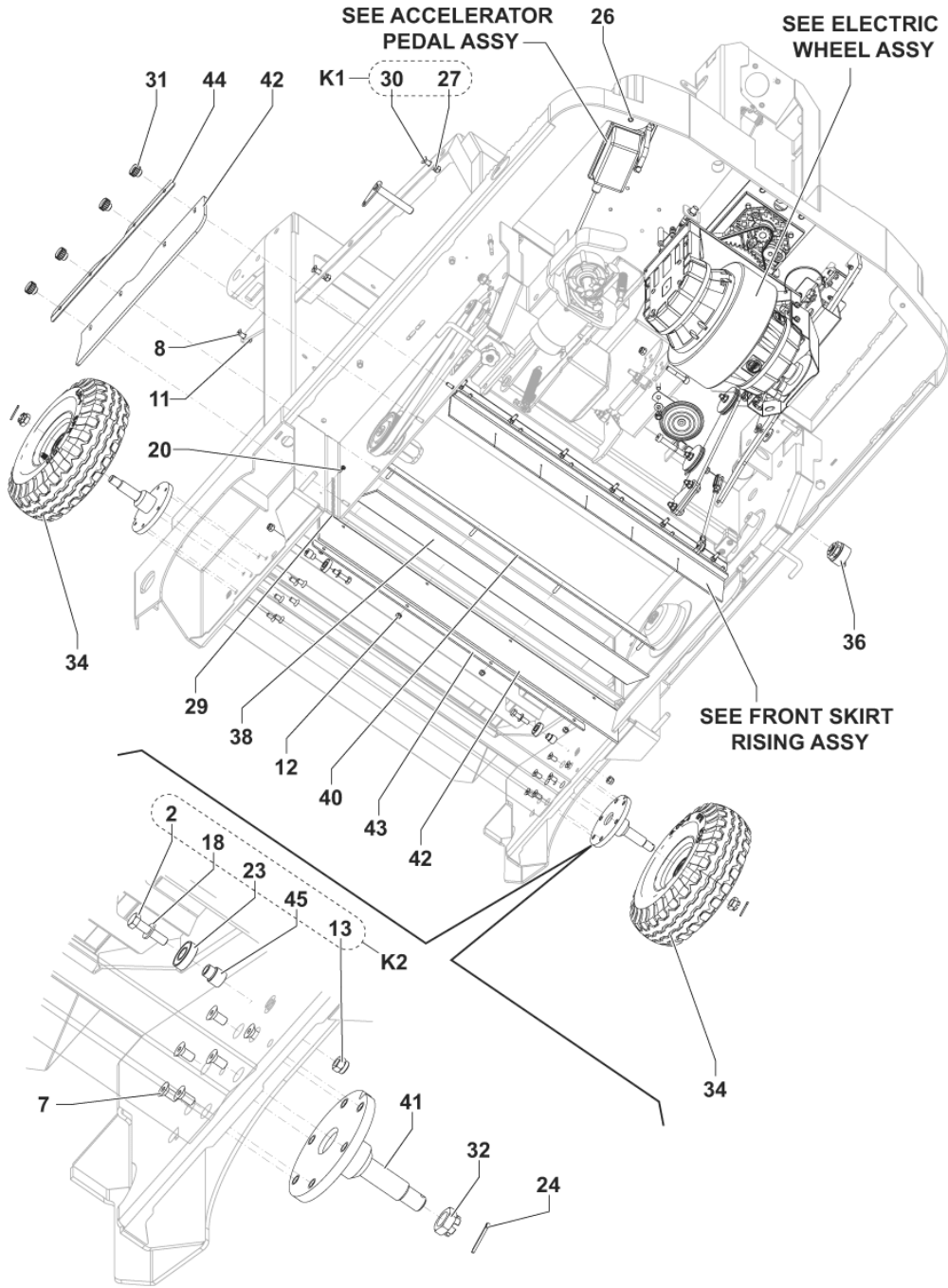
No.	Part No.	Qty.	Description	Part Note
1	1466984000	1	GEARCASE HYDRAULIC	[1]

Part Notes:

- [1] - SEE INST. INTR. 1466982000
See TSB-FC-2017-024



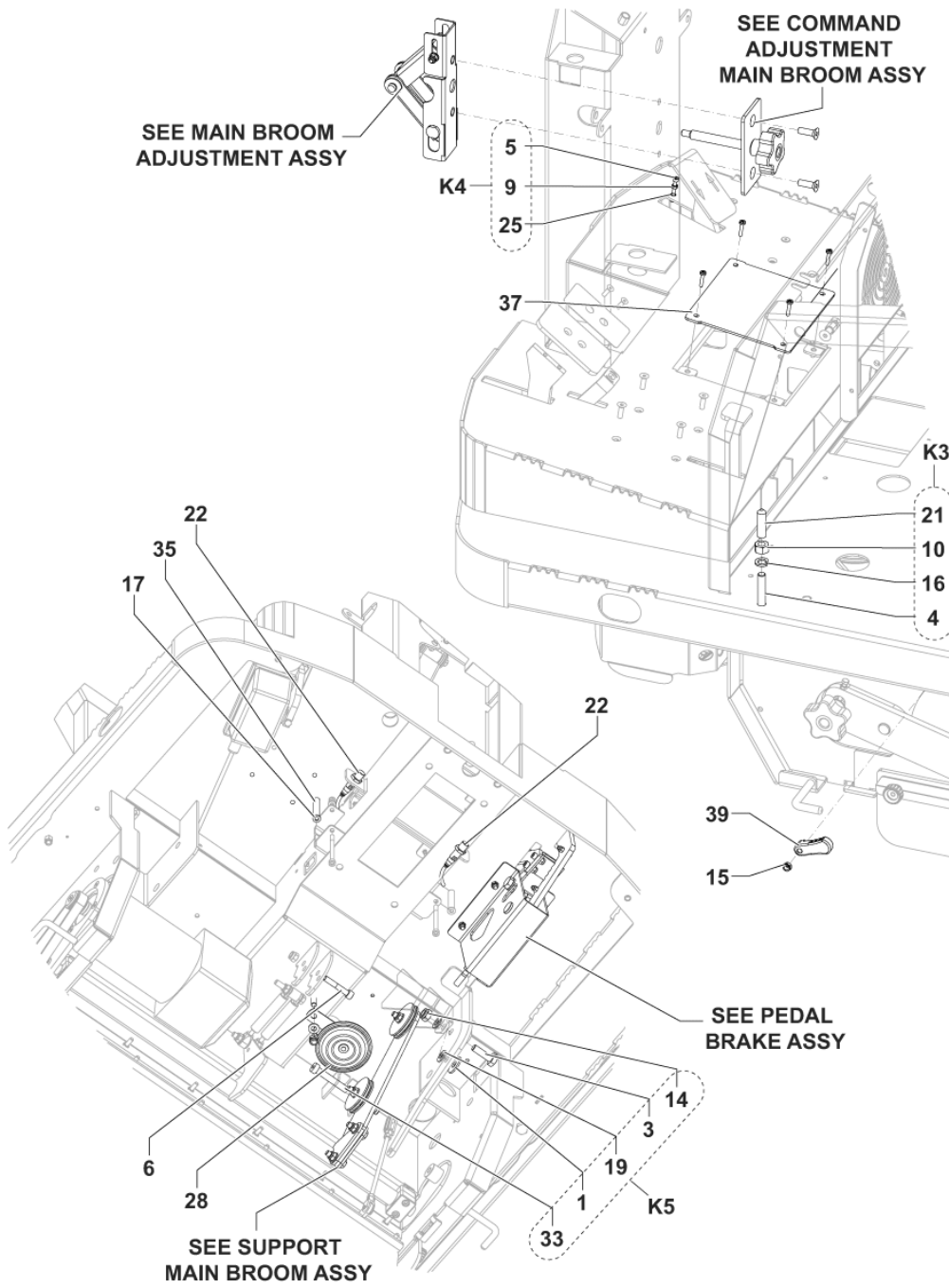
No.	Part No.	Qty.	Description	Part Note
1		6	K2	
2		2	K1	
3		1	K2	
4		2	K1	
5		2	K2	
6		2	K2	
7		4	K2	
8		2	K1	
9		7	K2	
10		1	K2	
11	44905699	3	BEARING BALL 6001 2RS PKD	
12		3	K1-K2	
13		2	K2	
14		2	K1	
15		1	K2	
16		4	K1	
17		3	K2	
18	1467039000	1	SPRING TRACTION CARBON	
19	1464792000	1	HANDLE REVOLVING	
20	1465261000	1	ARM GUIDE	
21	1465262000	1	LEVER FOR LOCK RELEASE	
22	1465266000	1	PROTECTION EXTERNAL	
23	1465268000	1	PLATE PLASTIC	
24	1465269000	1	ARM TELESCOPIC	
25		1	K1	
26	1465276000	1	PLATE PLASTIC	
27	1465281000	2	BEARING CYLINDRICAL	
28	1465282000	1	LATCH SLAM	
29	1465288000	2	PULLEY	
30	1465289000	1	SPACER PLASTIC	
31		1	K2	
32		1	K2	
33		1	K2	
34		1	K2	
35	1465388000	1	PROTECTION FOR LATCH KIT	
36	1465273000	1	CABLE LOCK RELEASE	
K1	1465032000	1	LEVER CONTAINER RELEASE	
K2	1465033000	1	LEVER PIVOT FIXING KIT	



No.	Part No.	Qty.	Description	Part Note
1		1	K5	
2		2	K2	
3		1	K5	
4		7	K3	
5		1	K4	
6	33004370	1	SCREW M8X45 UNI5931	
7	33004590	12	SCREW M8X16 UNI5933	
8	33004593	2	SCREW M8X25 UNI5933	
9		1	K4	
10		7	K3	
11		6	K1	
12	33023469	1	NUT LOCK HEX M6 ISO7040	
13		5	K2	
14		1	K5	
15	33023667	1	NUT LOCK HEX M6 LOW ISO10511 5 PCS SET	
16		7	K3	
17	33023396	1	WASHER PLAIN M6X12	
18		6	K2	
19		2	K5	
20		1	K1	
21		7	K3	
22	1467062000	2	SWITCH BACK UP	
23		2	K2	
24	33005791	2	PIN SPLIT 4X45 UNI1336	
25		18	K4	
26	145 4772 000	12	Insert hex M 6	
27		16	K1	
28	1467032000	1	HORN 24V PKD	
29	146 0611 000	1	Chain	
30		4	K1	
31	1466374000	4	KNOB KNURLED M6 FEMALE	
32	1464841000	3	NUT HEX M16 LOW UNI5594	
33		1	K5	
34	1467888000	1	WHEEL SOLID 4.00-4 BLACK SET	
34	1467888000	2	WHEEL SOLID 4.00-4 BLACK SET	
34	146 0329 000	2	FRONT WHEEL NON MARKING	[1]
34	1465313000	1	WHEELS REAR SOLID NON	[1]
35	1464847000	2	SPACER 6.2x14x60	
36	909 6126 000	1	BUZZER 5-32V	
37	1464469000	1	COVER	
38	1464275000	1	SKIRT REAR RECYCLE	
39	1463931000	2	LEVER BROOM DOOR FIXING	
40	1464276000	1	PLATE REAR SKIRT FIXING	
41	1464171000	3	SUPPORT REAR WHEEL	
42	1465396000	1	SKIRTS KIT	
42	1464951000	1	SKIRT NON MARKING KIT	[1]
43	1464277000	1	PLATE REAR SKIRT	
44	1464278000	1	PLATE SIDE KIRT FIXING	
45		2	K2	
K1	1465036000	1	HARDWARE FOR SIDE COVER	
K2	1465037000	1	PIN HOPPER BEARING KIT	
K3	1465038000	1	HARDWARE FOR PIVOT	
K4	1465039000	1	HARDWARE FOR	
K5	1465040000	1	HARDWARE FRONT FLAP KIT	

Part Notes:

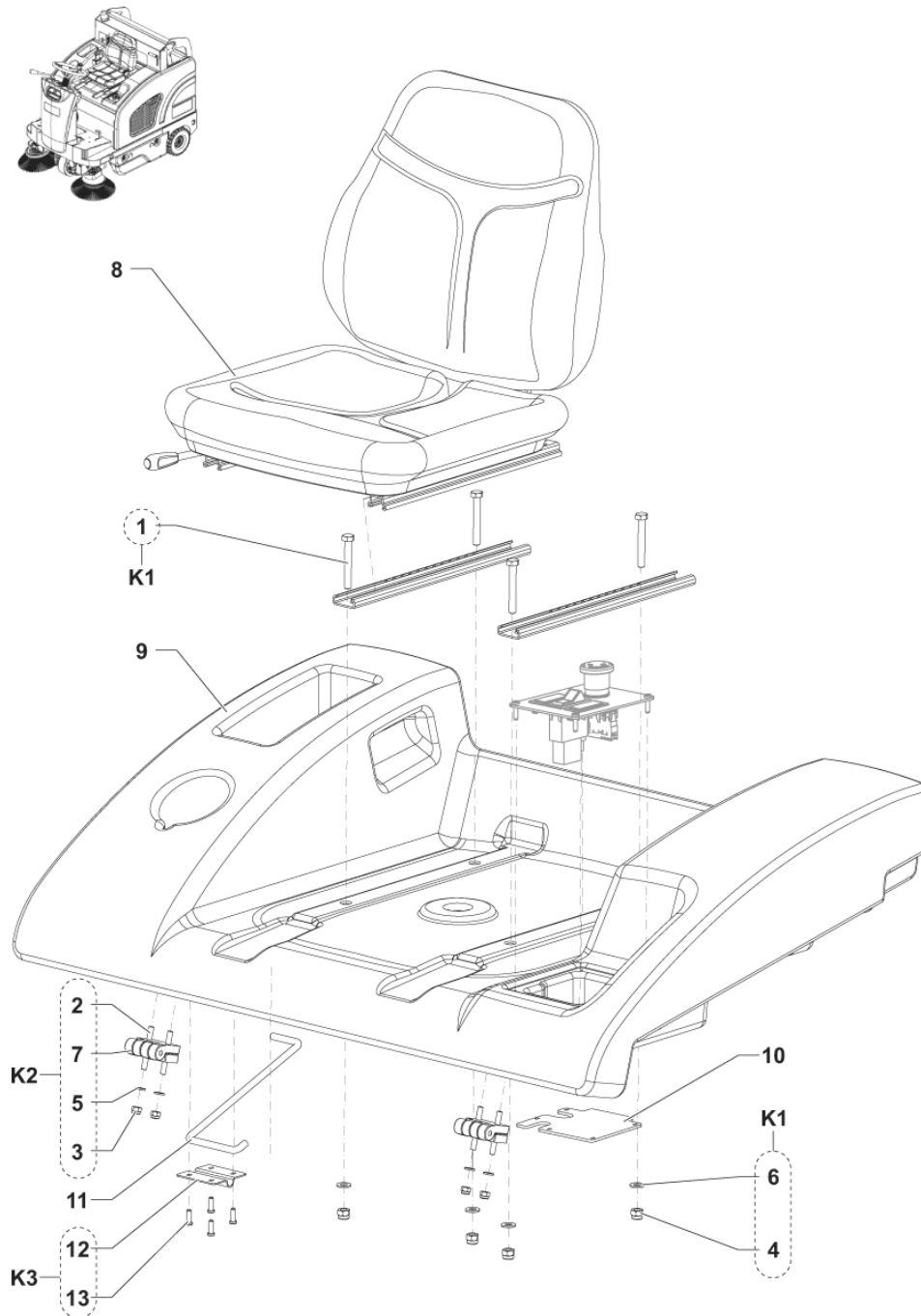
[1] - OPTIONAL



No.	Part No.	Qty.	Description	Part Note
1		1	K5	
2		2	K2	
3		1	K5	
4		7	K3	
5		1	K4	
6	33004370	1	SCREW M8X45 UNI5931	
7	33004590	12	SCREW M8X16 UNI5933	
8	33004593	2	SCREW M8X25 UNI5933	
9		1	K4	
10		7	K3	
11		6	K1	
12	33023469	1	NUT LOCK HEX M6 ISO7040	
13		5	K2	
14		1	K5	
15	33023667	1	NUT LOCK HEX M6 LOW ISO10511 5 PCS SET	
16		7	K3	
17	33023396	1	WASHER PLAIN M6X12	
18		6	K2	
19		2	K5	
20		1	K1	
21		7	K3	
22	1467062000	2	SWITCH BACK UP	
23		2	K2	
24	33005791	2	PIN SPLIT 4X45 UNI1336	
25		18	K4	
26	145 4772 000	12	Insert hex M 6	
27		16	K1	
28	1467032000	1	HORN 24V PKD	
29	146 0611 000	1	Chain	
30		4	K1	
31	1466374000	4	KNOB KNURLED M6 FEMALE	
32	1464841000	3	NUT HEX M16 LOW UNI5594	
33		1	K5	
34	1467888000	2	WHEEL SOLID 4.00-4 BLACK SET	
34	146 0329 000	2	FRONT WHEEL NON MARKING	[1]
34	1465313000	1	WHEELS REAR SOLID NON	[1]
35	1464847000	2	SPACER 6.2x14x60	
36	909 6126 000	1	BUZZER 5-32V	
37	1464469000	1	COVER	
38	1464275000	1	SKIRT REAR RECYCLE	
39	1463931000	2	LEVER BROOM DOOR FIXING	
40	1464276000	1	PLATE REAR SKIRT FIXING	
41	1464171000	3	SUPPORT REAR WHEEL	
42	1465396000	1	SKIRTS KIT	
42	1464951000	1	SKIRT NON MARKING KIT	[1]
43	1464277000	1	PLATE REAR SKIRT	
44	1464278000	1	PLATE SIDE KIRT FIXING	
45		2	K2	
K1	1465036000	1	HARDWARE FOR SIDE COVER	
K2	1465037000	1	PIN HOPPER BEARING KIT	
K3	1465038000	1	HARDWARE FOR PIVOT	
K4	1465039000	1	HARDWARE FOR	
K5	1465040000	1	HARDWARE FRONT FLAP KIT	

Part Notes:

[1] - OPTIONAL



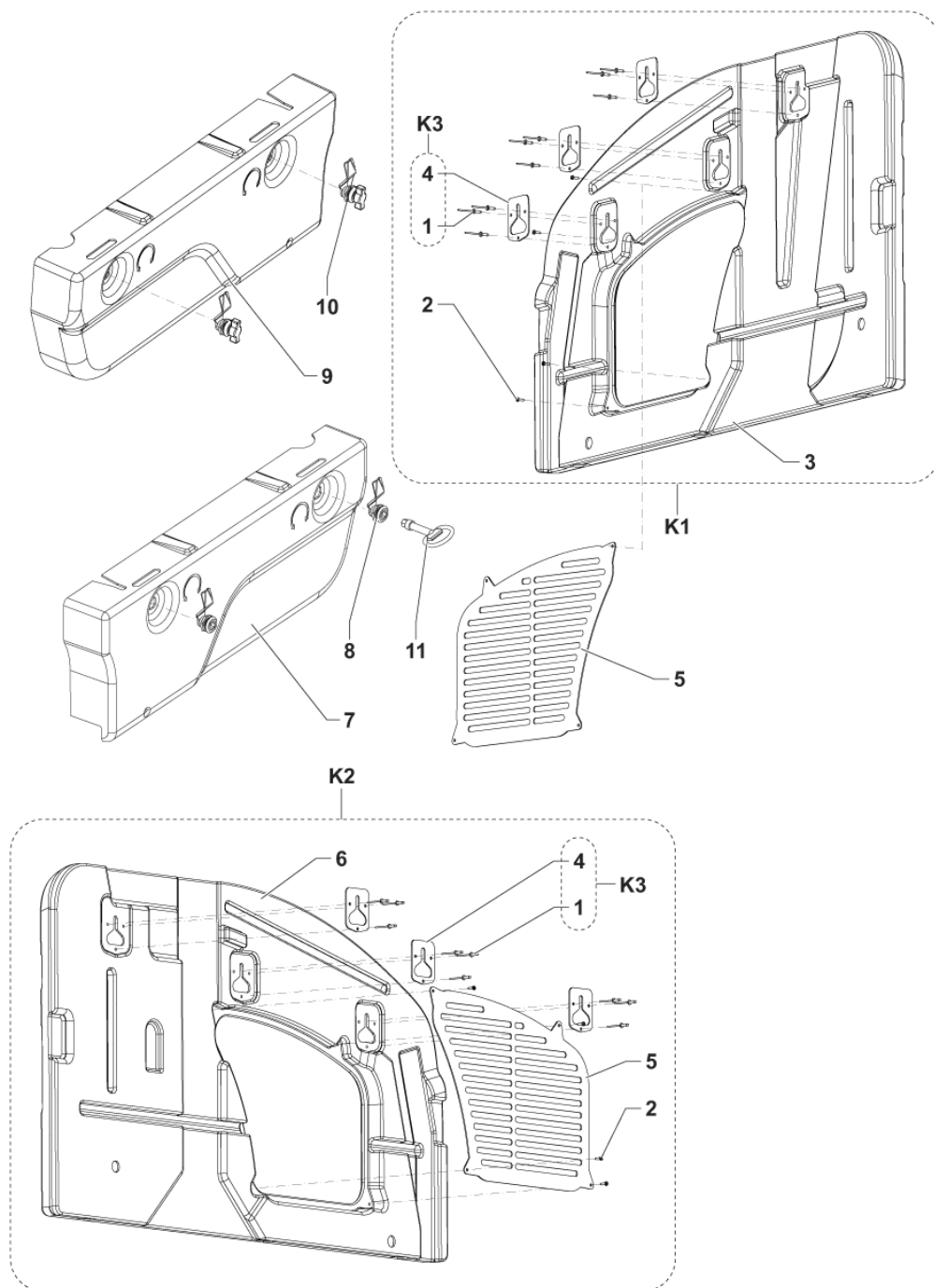
SEAT COVER

SW4000 B NIL

2017.11.02

2018.02.27

No.	Part No.	Qty.	Description	Part Note
1		4	K1	
2		8	K2	
3		4	K2	
4		4	K1	
5		4	K2	
6		4	K1	
7	33009531	2	HINGEK2	
8	1467028000	1	SEAT PKD	
9	1463908000	1	SUPPORT SEAT	
10	1464975000	1	COVER HARNESS	
11	1464286000	1	ROD BONNET	
12		1	K3	
13		4	K3	
K1	1465043000	1	HARDWARE FOR SEAT KIT	
K2	1465041000	1	HINGE FOR BONNET KIT	
K3	1465042000	1	SUPPORT FOR SAFETY ROD	



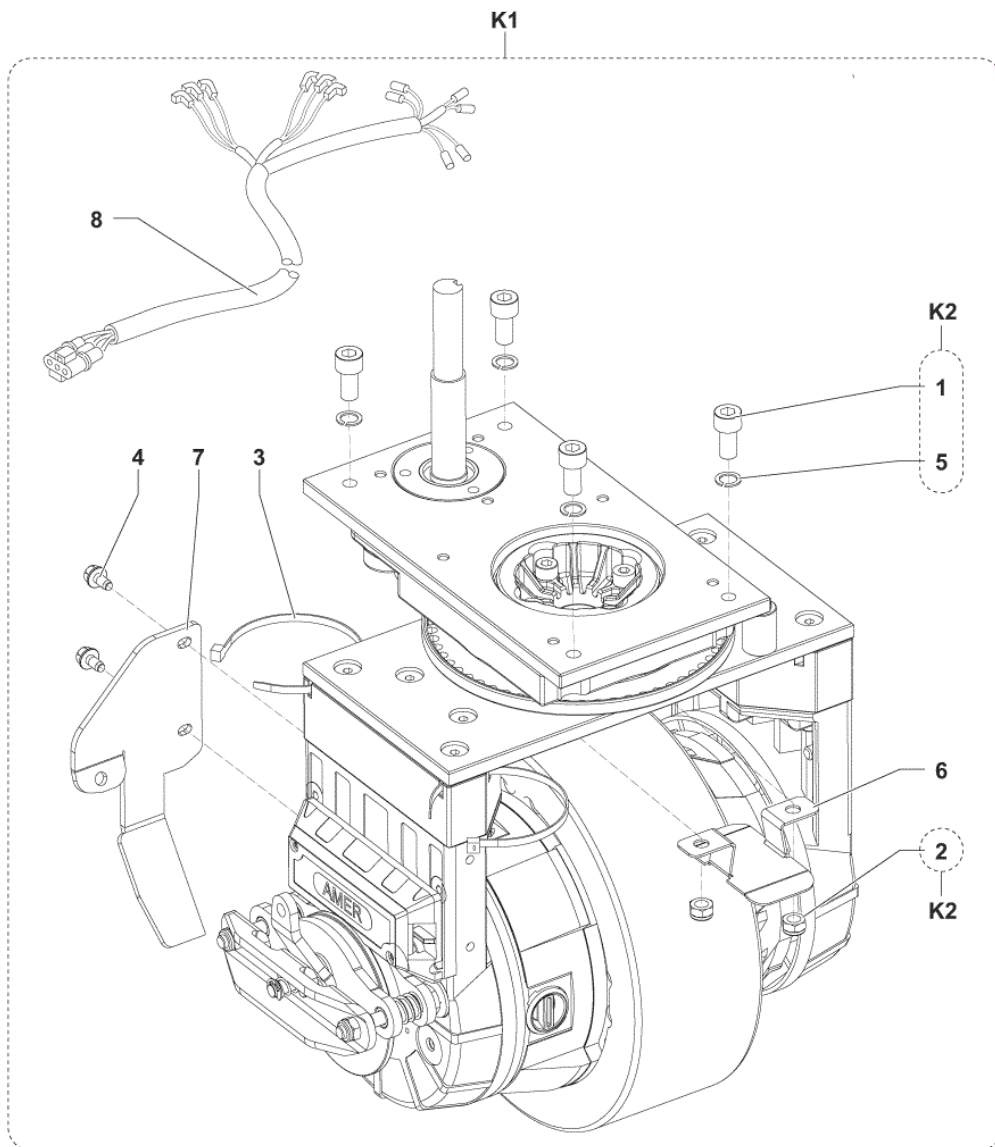
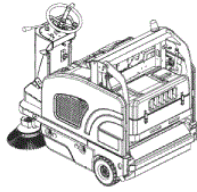
LATERAL COVERS

SW4000 B NIL

2017.11.02

2016.04.13

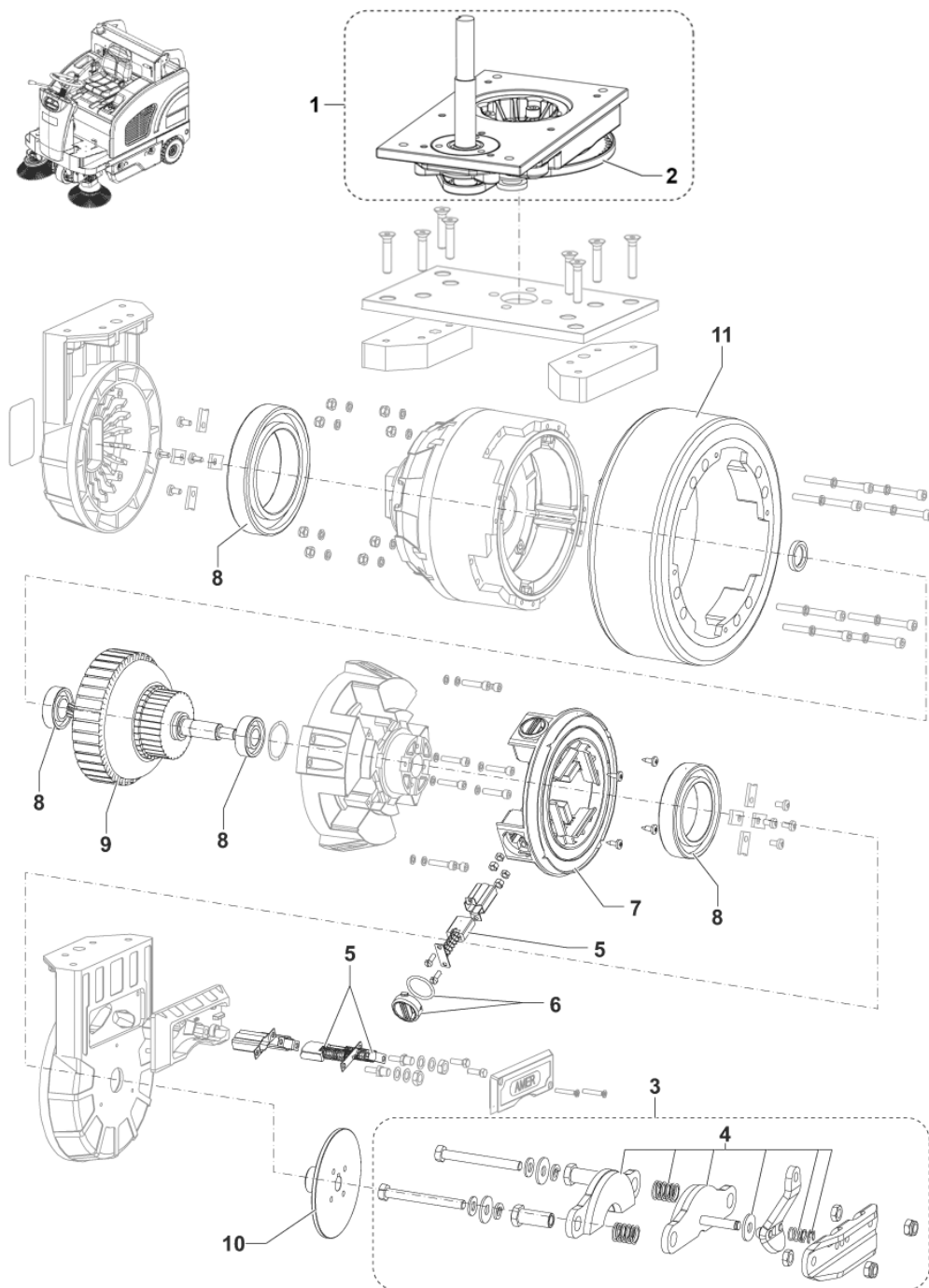
No.	Part No.	Qty.	Description	Part Note
1		18	K3	
2		8	K1-K2	
3		1	K1	
4		6	K3	
5	1464354000	2	GRID VENTING	
6		1	K2	
7	1464191000	1	HATCH RIGHT SIDE	
8	1467109000	2	LOCK WITH KEY FOR HATCH	
9	1464192000	1	HATCH LEFT SIDE	
10	1467041000	4	LOCK PKD	
11	1467057000	1	KEY HEX 10MM MALE PKD	
K1	1464925000	1	COVER RIGHT KIT	
K2	1464923000	1	COVER LEFT KIT	
K3	1465044000	1	PLATE FOR PANEL FIXING	



No.	Part No.	Qty.	Description	Part Note
1		4	K2	
2		2	K2	
3		6	K1	
4		2	K1	
5		4	K2	
6	146460000	1	CASING TRACTION WHEEL	
7	1465342000	1	BRACKET BRAKE CABLE	
8	1467455000	1	HARNES TRACTION WHEEL	[1]
8	1467712000	1	HARNES TRACTION WHEEL US KIT	[2]
K1	1464913000	1	MOTORWHEEL KIT	[1]
K1	1467710000	1	MOTORWHEEL US KIT	[2]
K1	1465170000	1	WHEEL TRACTION NON	[3]
K2	1465045000	1	HARDWARE STEERING	

Part Notes:

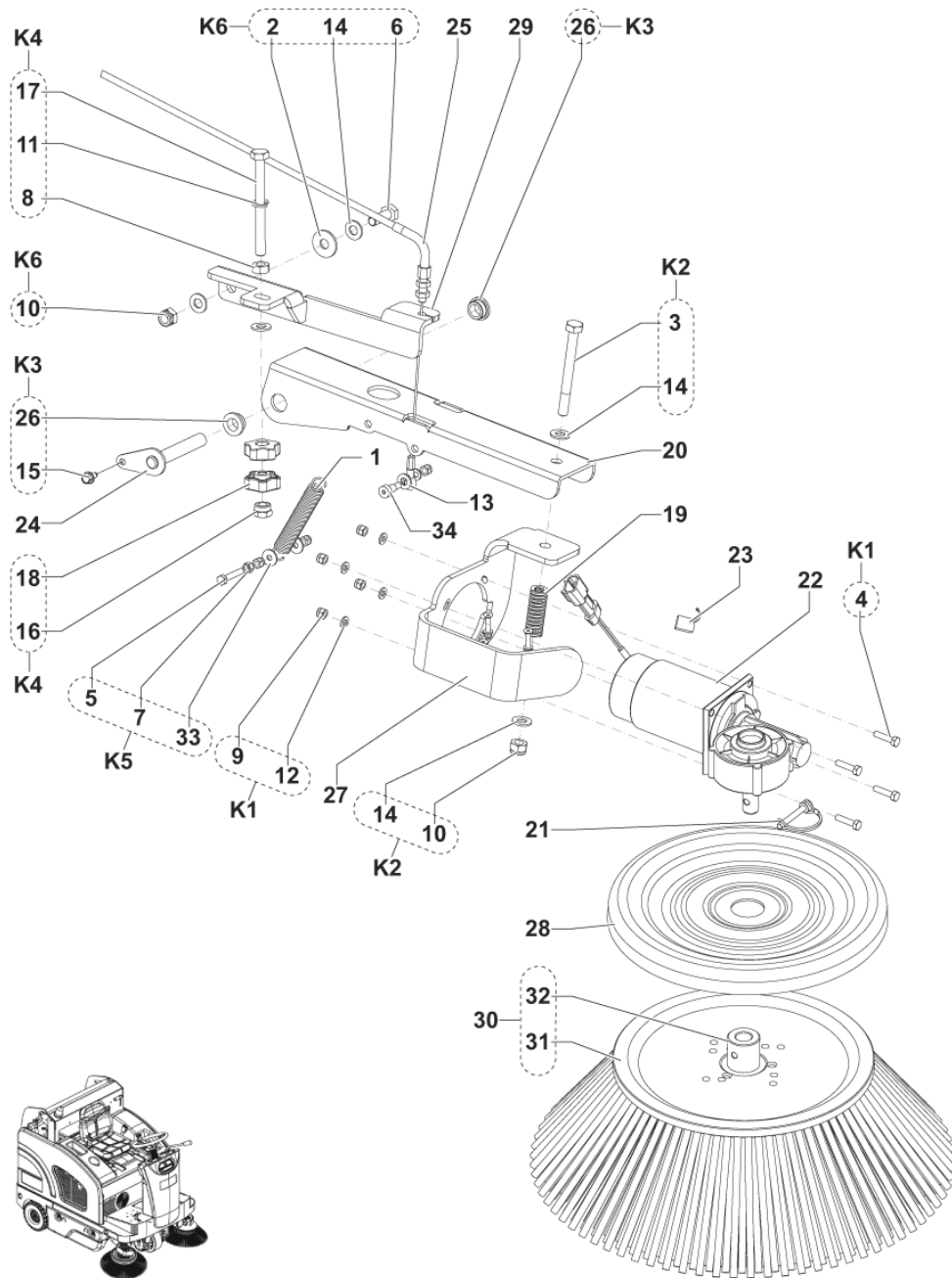
- [1] - EU VERSION ONLY
- [2] - US VERSION ONLY
- [3] - OPTIONAL



No.	Part No.	Qty.	Description	Part Note
1	1464834000	1	STEERING SYSTEM	
2	1465133000	1	CHAIN FOR STEERING	
3	1464804000	1	CALIPER BRAKE COMPLETE	
4	1464805000	1	PADS BRAKE KIT	
5	9096960000	1	CARBON BRUSHES KIT 4+2	
6	9096969000	4	CAP WITH GASKET	
7	9096968000	1	RING CARBON BRUSHES	
8	9096959000	1	BALL BEARING KIT	
9	1465182000	1	ARMATURE	
10	1467694000	1	DISC BRAKE W/HUB F	
11	1465314000	1	RING FOR MOTORWHEEL KIT	
11	1464955000	1	TYRE DRIVE FRONT NON	[1]

Part Notes:

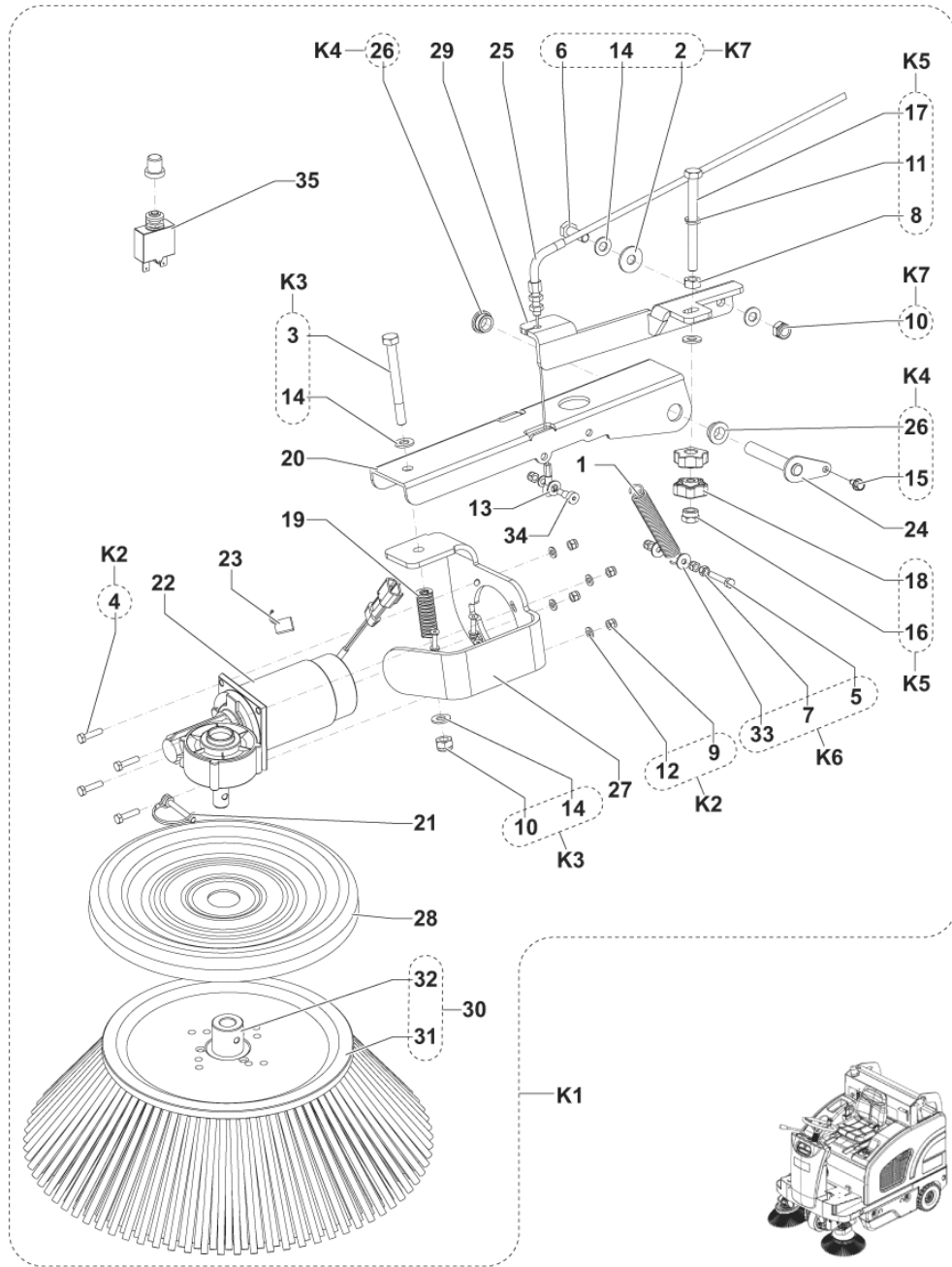
[1] - OPTIONAL - INST. INSTR. 1465241000



No.	Part No.	Qty.	Description	Part Note
1	146 0986 000	1	SPRING	
2		1	K6	
3		1	K2	
4		4	K1	
5		1	K5	
6		1	K6	
7		1	K5	
8		1	K4	
9		7	K1	
10		2	K6	
11		1	K4	
12		5	K1	
13	33023208	1	WASHER M8 UNI6592 10	
14		5	K2	
15		1	K3	
16		1	K4	
17		1	K4	
18		2	K4	
19	146 1317 000	1	SPRING	
20	1463903000	1	LEVER SIDE BROOM LIFTING	
21	1463960000	1	CLIP WITH PIN	
22	1464241000	1	GEARMOTOR FOR RIGHT	
23	1467083000	1	CARBON BRUSH 2 PCS SET	
24	1464412000	1	PIN FOR SIDE BROOM ARM	
25	1464414000	1	CABLE RIGHT SIDE BROOM	
26		2	K3	
27	1464464000	1	BRACKET FOR RIGHT SIDE	
28	1464499000	1	COVER SIDE BROOM	
29	1464507000	1	BRACKETÂ RIGHT SIDE	
30	1465318000	1	BROOM SIDE MIX STEEL	
30	1465320000	1	BROOM SIDE PPL 1.0 BLACK	[1]
30	1465319000	1	BROOM SIDE MIX 5	[1]
31		1	30	
32	1464843000	1	HUB FOR SIDE BROOM	
33		2	K5	
34	1464243000	1	SCREW SHOULDER 8X12 M6	
K1	1465046000	1	HARDWARE GEARMOTOR KIT	
K2	1465047000	1	HARDWARE GEARMOTOR	
K3	1465048000	1	PIN FOR SIDE BROOM	
K4	1465049000	1	KNOB SIDE BROOM KIT	
K5	1465050000	1	HARDWARE SIDE BROOM	
K6	1465051000	1	HARDWARE SIDE BROOM	

Part Notes:

[1] - OPTIONAL



LEFT BROOM

SW4000 B NIL

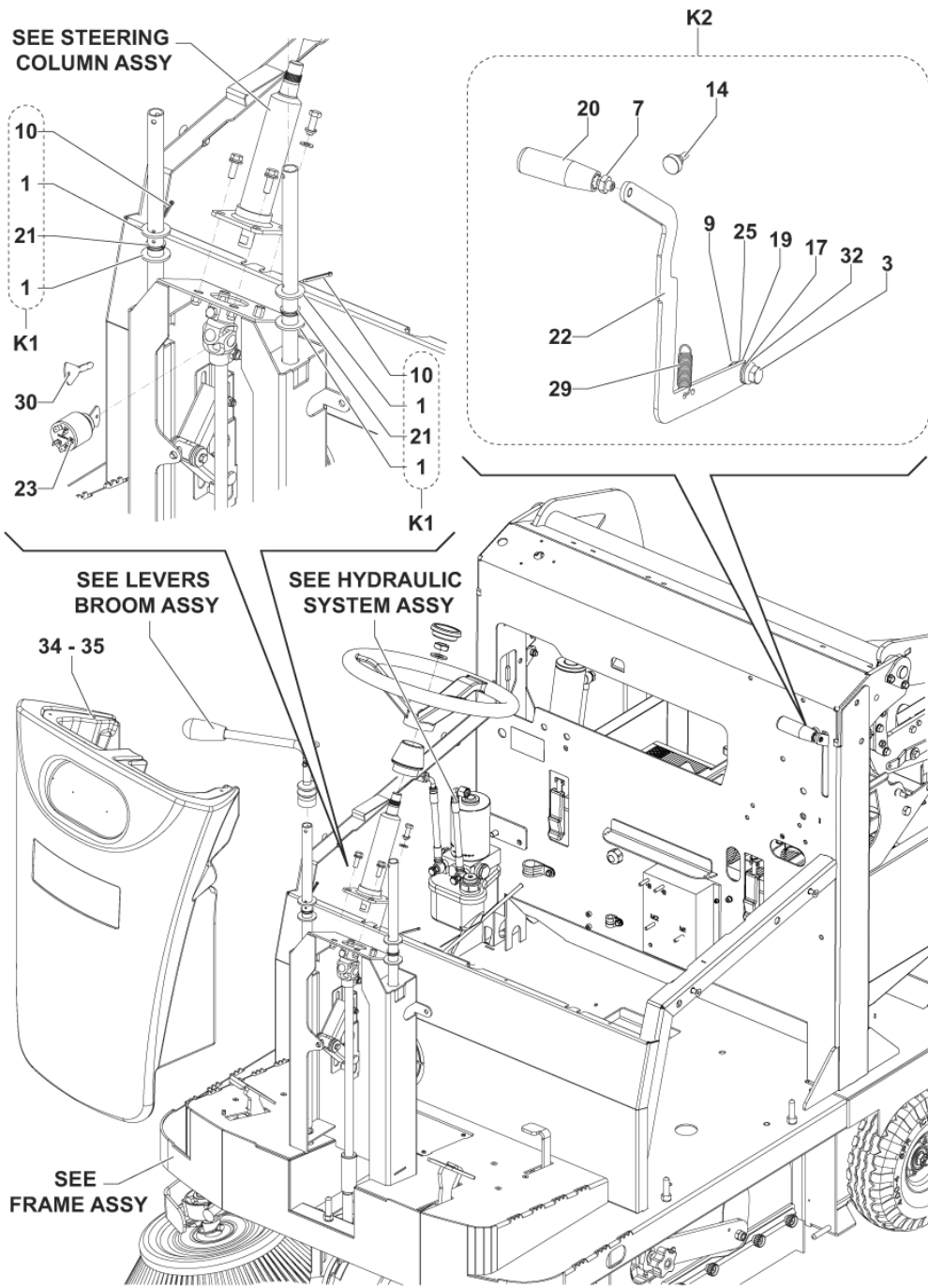
2017.11.02

2016.08.04

No.	Part No.	Qty.	Description	Part Note
1	146 0986 000	1	SPRING	
2		1	K7	
3		1	K3	
4		4	K2	
5		1	K6	
6		1	K7	
7		1	K6	
8		1	K5	
9		7	K2	
10		2	K3-K7	
11		1	K5	
12		5	K2	
13	33023208	1	WASHER M8 UNI6592 10	
14		5	K3-K7	
15		1	K4	
16		1	K5	
17		1	K5	
18		2	K5	
19	146 1317 000	1	SPRING	
20	1463903000	1	LEVER SIDE BROOM LIFTING	
21	1463960000	1	CLIP WITH PIN	
22	1464242000	1	GEARMOTOR LEFT SIDE BROOM	
23	1467083000	1	CARBON BRUSH 2 PCS SET	
24	1464412000	1	PIN FOR SIDE BROOM ARM	
25	1464415000	1	CABLE LEFT SIDE BROOM	
26		2	K4	
27	1464500000	1	BRACKET FOR LEFT SIDE	
28	1464499000	1	COVER SIDE BROOM	
29	1464427000	1	BRACKET LEFT SIDE BROOM	
30	1465318000	1	BROOM SIDE MIX STEEL	
30	1465320000	1	BROOM SIDE PPL 1.0 BLACK	[1]
30	1465319000	1	BROOM SIDE MIX 5	[1]
31		1	30	
32	1464843000	1	HUB FOR SIDE BROOM	
33		2	K6	
34	1464243000	1	SCREW SHOULDER 8X12 M6	
35	1464336000	1	CIRCUIT BREAKER 15A	
K1	1464946000	1	BROOM LEFT SIDE MIX STEEL	[2]
K2	1465046000	1	HARDWARE GEARMOTOR KIT	
K3	1465047000	1	HARDWARE GEARMOTOR	
K4	1465048000	1	PIN FOR SIDE BROOM	
K5	1465049000	1	KNOB SIDE BROOM KIT	
K6	1465050000	1	HARDWARE SIDE BROOM	
K7	1465051000	1	HARDWARE SIDE BROOM	

Part Notes:

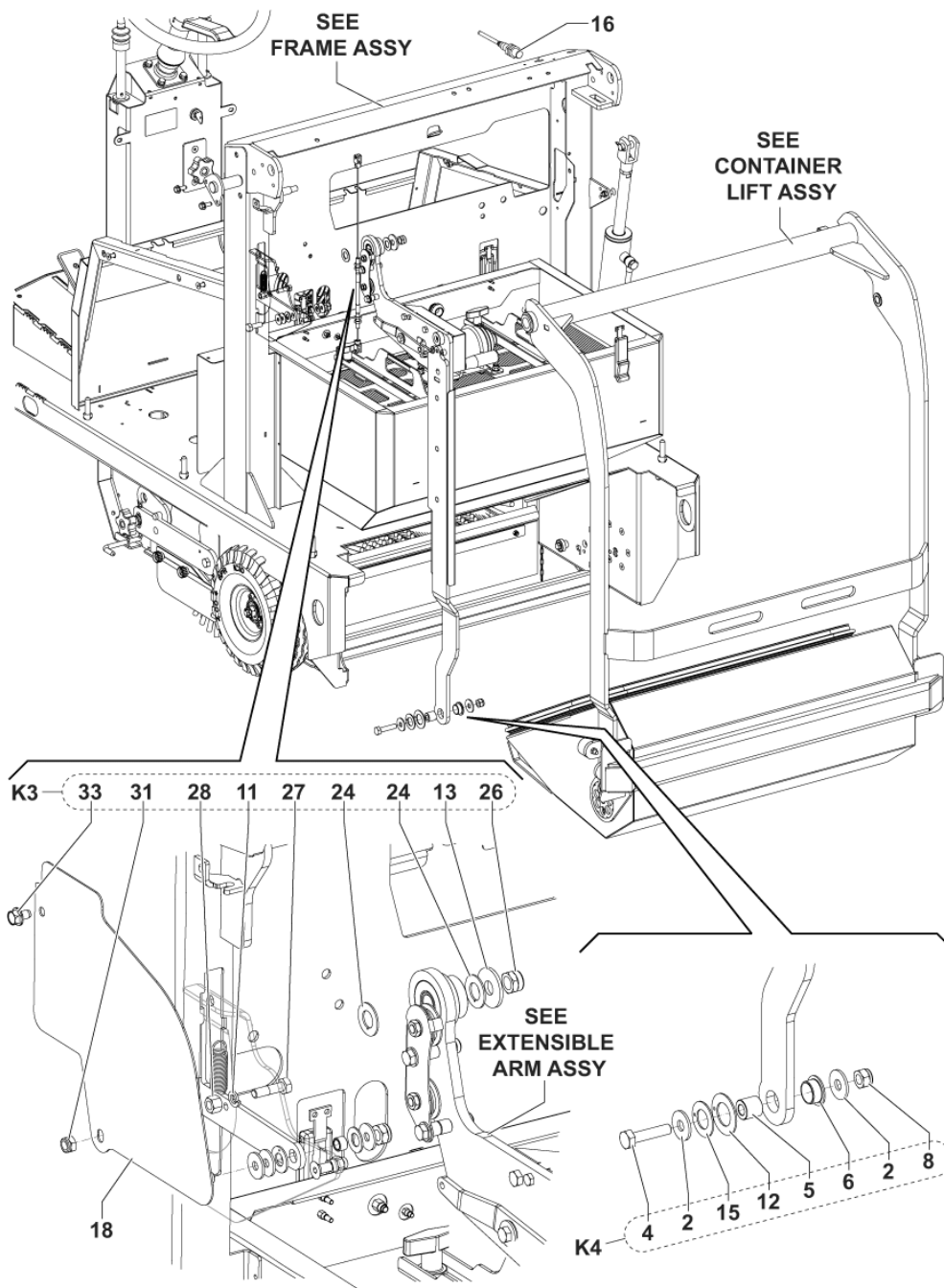
- [1] - OPTIONAL
[2] - OPTIONAL - INSTALLATION INSTRUCTION REF. 1465242000



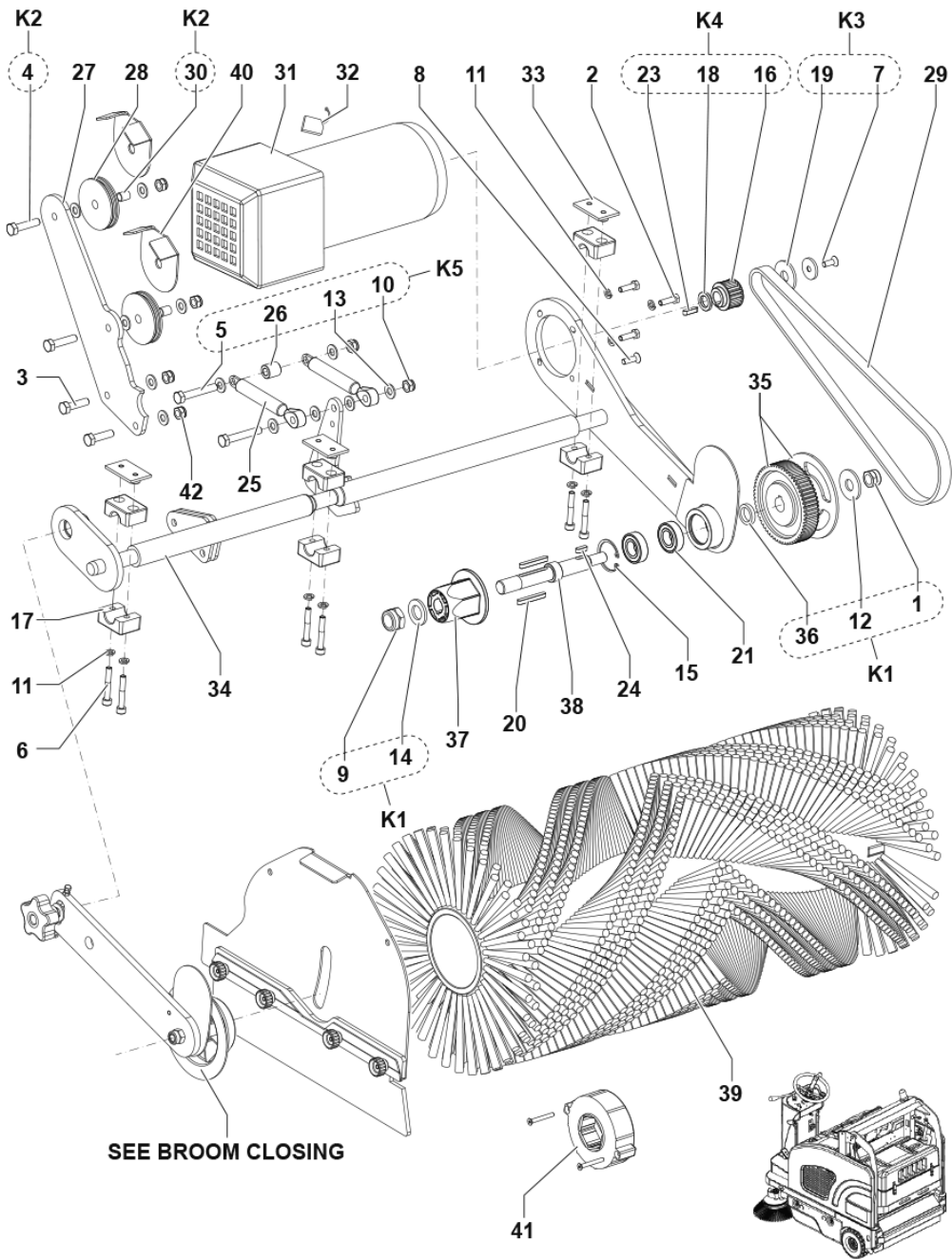
No.	Part No.	Qty.	Description	Part Note
1		4	K1	
2		2	K4	
3		1	K2	
4		1	K4	
5		1	K4	
6		1	K4	
7		1	K2	
8		1	K4	
9		1	K2	
10		4	K1	
11		1	K3	
12		1	K4	
13		1	K3	
14		1	K2	
15		1	K4	
16	1467062000	1	SWITCH BACK UP	
17		1	K2	
18	1465286000	1	COVER	
19		1	K2	
20		1	K2	
21		3	K1	
22		1	K2	
23	33020442	1	KEY START ASSY WITH	
24		2	K3	
25		1	K2	
26		1	K3	
27		1	K3	
28		1	K3	
29	1467039000	1	SPRING TRACTION CARBON	
30	1467014000	1	KEY F STARTER SWITCH 2	
31		1	K3	
32		3	K2	
33		1	K3	
34	1464178000	1	COVER FRONT	
35	1464598000	1	TANK WATER	[1]
K1	1465031000	1	HARDWARE LEVERS BROOM KIT	
K2	1464915000	1	LEVER FOR HOPPER	
K3	1465034000	1	HARDWARE RELEASE MAIN	
K4	1465035000	1	HARDWARE FOR TELESCOPIC	

Part Notes:

[1] - OPTIONAL



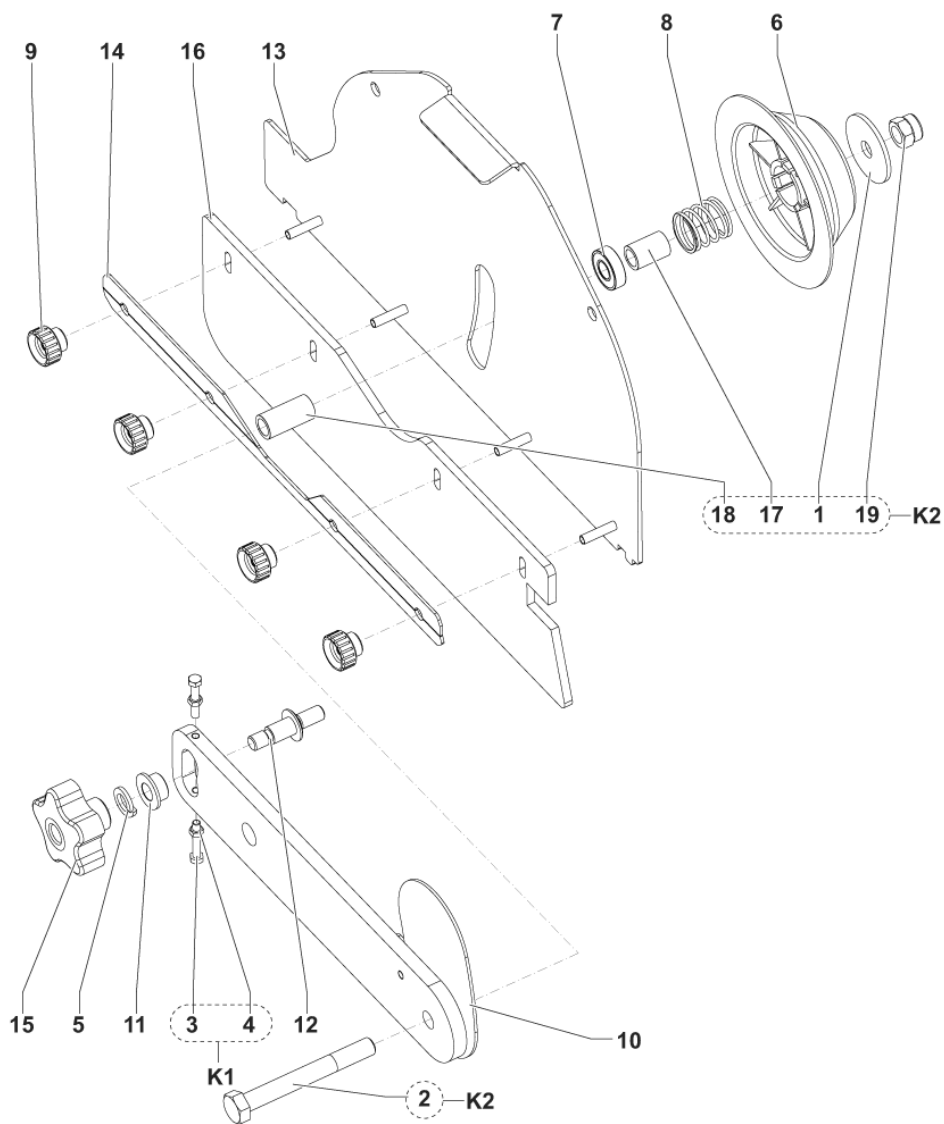
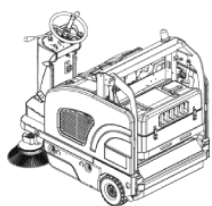
No.	Part No.	Qty.	Description	Part Note
1		4	K1	
2		2	K4	
3		1	K2	
4		1	K4	
5		1	K4	
6		1	K4	
7		1	K2	
8		1	K4	
9		1	K2	
10		4	K1	
11		1	K3	
12		1	K4	
13		1	K3	
14		1	K2	
15		1	K4	
16	1467062000	1	SWITCH BACK UP	
17		1	K2	
18	1465286000	1	COVER	
19		1	K2	
20		1	K2	
21		3	K1	
22		1	K2	
23	33020442	1	KEY START ASSY WITH	
24		2	K3	
25		1	K2	
26		1	K3	
27		1	K3	
28		1	K3	
29	1467039000	1	SPRING TRACTION CARBON	
30	1467014000	1	KEY F STARTER SWITCH 2	
31		1	K3	
32		3	K2	
33		1	K3	
34	1464178000	1	COVER FRONT	
35	1464598000	1	TANK WATER	
K1	1465031000	1	HARDWARE LEVERS BROOM KIT	
K2	1464915000	1	LEVER FOR HOPPER	
K3	1465034000	1	HARDWARE RELEASE MAIN	
K4	1465035000	1	HARDWARE FOR TELESCOPIC	



No.	Part No.	Qty.	Description	Part Note
1	1467685000	1	NUT LOCK HEX M12 LOW ISO10511 5 PCS SET	
2	33023470	1	SCREW M6X20 HEX HD	
3	33003996	2	SCREW M8X30 UNI5739	
4		2	K2	
5		2	K5	
6	33004350	6	SCREW M6X40 UNI5931	
7		1	K3	
8	33004578	1	SCREW M6X20 10.9 UNI5933	
9		1	K1	
10		6	K5	
11	33005851	9	WASHER M6 UNI1751B	
12		1	K1	
13		12	K5	
14		1	K1	
15	33006165	1	RING D 35 UNI7437	
16		1	K4	
17	1466733000	3	CLAMP PIPE FIXING D.18	
18		1	K4	
19		1	K3	
20	145 8011 000	2	KEY 5X5X40 UNI6604A	
21	1467030000	2	BEARING BALL 6003 2RS PKD	
22		1	K1	
23		1	K4	
24	146 1017 000	1	KEY 5X5X15 UNI6604A	
25	1463358000	2	SPRING GAS 40KG	
26		1	K5	
27	1466157000	1	BRACKET PULLEYS SUPPORT	
28	1464239000	2	PULLEY BROOM LEVER	
29	1464266000	1	BELT HTD 825-5M	
30		2	K2	
31	1467562000	1	MOTOR MAIN BROOM 24V	
32	L08603949	1	BRUSH CARBON KIT (4PCS)	
33	1464983000	3	PLATE FOR COLLAR	
34	1464986000	1	SHAFT MAIN BROOM	
35	1466139000	1	PULLEY HTD KIT	
36		1	K1	
37	1467056000	1	HUB MAIN BROOM PKD	
38	1466079000	1	PIN MAIN BROOM SIP	
38	1466081000	1	BELT UPDATE KIT	[1]
39	1463913000	1	BROOM MAIN CHEVRON 6R	
39	1463854000	1	BROOM MAIN CHEVRON 6R	[2]
39	1464947000	1	BROOM MAIN CHEVRON 6R	[2]
40	1466144000	1	BRACKET PROTECTION PULLEYS KIT	[3]
41	1467525000	1	HUB CPL F MAIN BROOM KIT	[4]
42	33023574	1	NUT LOCK HEX M8	
K1	1465052000	1	HARDWARE MAIN BROOM HUB	
K2	1465053000	1	HARDWARE MAIN BROOM	
K3	1465054000	1	HARDWARE MAIN BR. MOTOR	
K4	1465055000	1	PULLEY MAIN BR. MOTOR KIT	
K5	1465056000	1	HARDWARE FOR GAS SPRING	

Part Notes:

- [1] - FOR MACHINE UP TO S/N3810144000045 - SEE INST. INSTR. 1466133000
- [2] - OPTIONAL
- [3] - INSTALLATION INSTRUCTIONS: 1466145000
- [4] - FOR ALL MAIN BROOMS: 1463913000 - 1463854000 - 1464947000



BROOM CLOSING

SW4000 B NIL

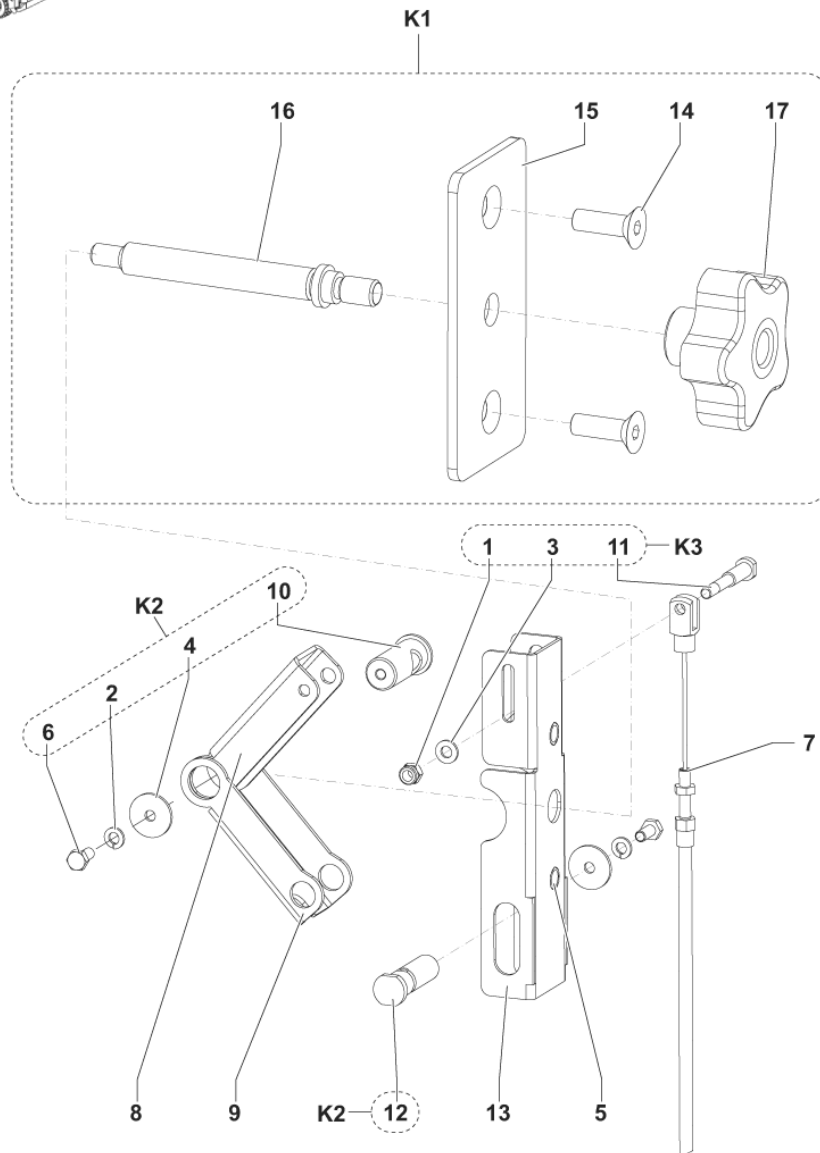
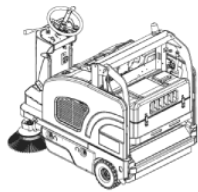
2017.11.02

2016.08.04

No.	Part No.	Qty.	Description	Part Note
1		1	K2	
2		1	K2	
3		2	K1	
4		2	K1	
5	33006010	1	WASHER M12 UNI1751B	
6	1467023000	1	HUB LEFT MAIN BROOM PKD	
7	44905699	1	BEARING BALL 6001 2RS PKD	
8	1467024000	1	SPRING PKD	
9	1466374000	4	KNOB KNURLED M6 FEMALE	
10	1464180000	1	LEVER MAIN BROOM SUPPORT	
11	1464181000	1	BUSHING SUPPORT LEVER	
12	1464182000	1	PIN MAIN BROOM ARM	
13	1464183000	1	HATCH MAIN BROOM	
14	1464278000	1	PLATE SIDE KIRT FIXING	
15	1464476000	1	KNOB BLACK/YELLOW	
16	1465396000	1	SKIRTS KIT	
16	1464951000	1	SKIRT NON MARKING KIT	[1]
17		1	K2	
18		1	K2	
19		1	K2	
K1	1465057000	1	HARDWARE MAIN BROOM	
K2	1465058000	1	HARDWARE MAIN BROOM	

Part Notes:

[1] - OPTIONAL



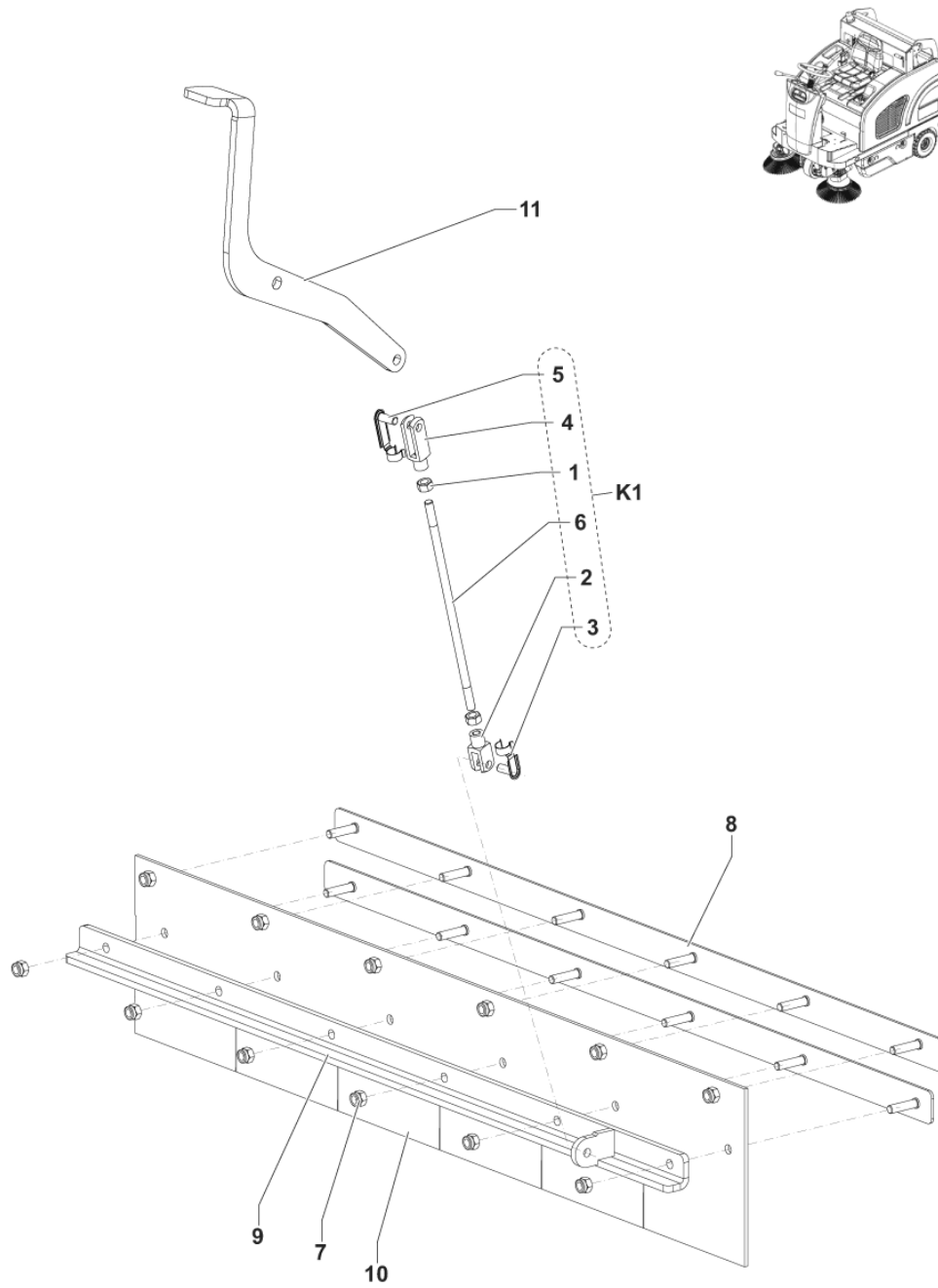
MAIN BROOM ADJUSTMENT

SW4000 B NIL

2017.11.02

2014.01.10

No.	Part No.	Qty.	Description	Part Note
1		1	K3	
2		2	K2	
3		1	K3	
4		2	K2	
5	145 4773 000	2	INSERT M8	
6		2	K2	
7	1464413000	1	CABLE MAIN BROOM	
8	1464449000	1	BRACKET UPPER MAIN	
9	1464450000	1	BRACKET LOWER MAIN	
10		1	K2	
11		1	K3	
12		1	K2	
13	1464462000	1	BRACKET GUIDE MAIN	
14		2	K1	
15		1	K1	
16		1	K1	
17	1464476000	1	KNOB BLACK/YELLOW	
K1	1464914000	1	BROOM MAIN ADJUSTMENT KIT	
K2	1465059000	1	BROOM MAIN ADJUST.	
K3	1465060000	1	CABLE MAIN BROOM FIXING	



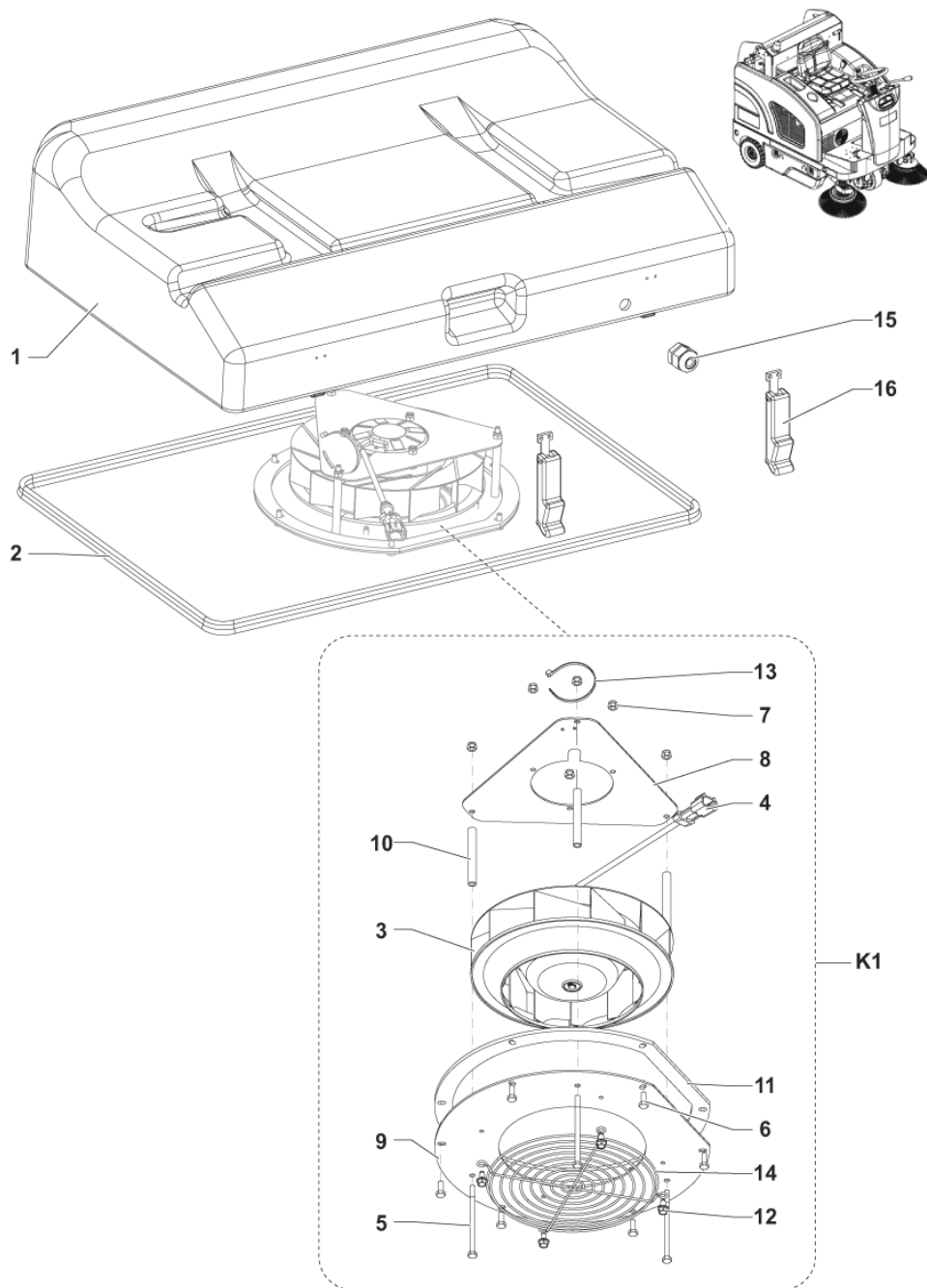
FRONT LIFT FLAP

SW4000 B NIL

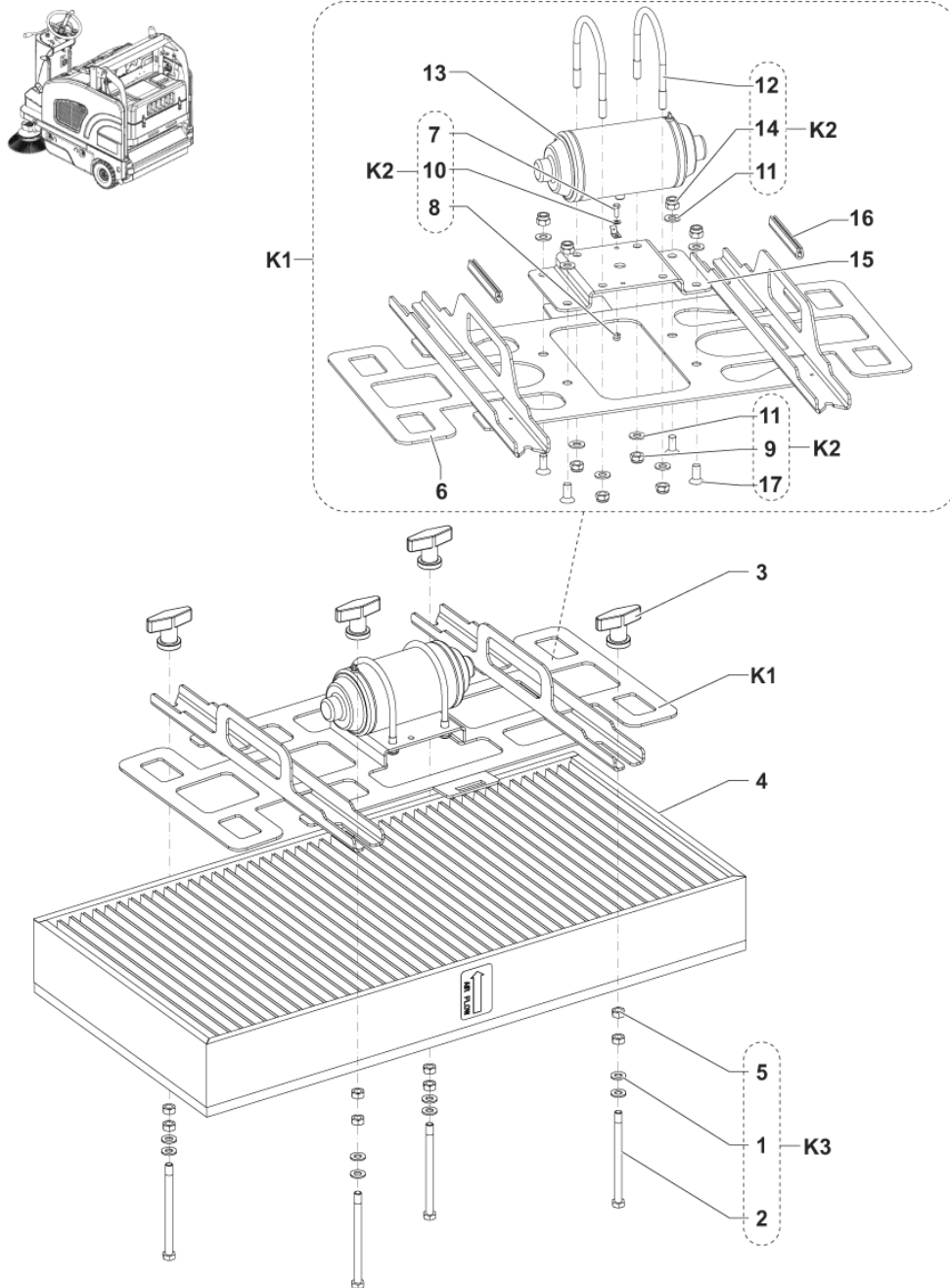
2017.11.02

2016.08.04

No.	Part No.	Qty.	Description	Part Note
1		2	K1	
2		1	K1	
3		1	K1	
4		1	K1	
5		1	K1	
6		1	K1	
7	33023469	2	NUT LOCK HEX M6 ISO7040	
8	1463916000	2	PLATE FRONT SKIRT	
9	1464337000	1	FLAP METAL FRONT	
10	1464497000	1	SKIRT FRONT	
11	1464185000	1	PEDAL DEVICE SKIRT RISING	
K1	1464921000	1	ROD FOR FLAP KIT	



No.	Part No.	Qty.	Description	Part Note
1	1464190000	1	CONTAINER VACUUM MOTOR	
2	1467894000	1	GASKET BULB RUBBER L.2450 MM SIP	
3	1467040000	1	FAN RADIAL 24V PKD	
4		1	K1	
5		3	K1	
6		6	K1	
7		6	K1	
8		1	K1	
9		1	K1	
10		3	K1	
11		1	K1	
12		4	K1	
13		1	K1	
14		1	K1	
15	146 1892 000	1	CLAMP CABLE	
16	1467042000	4	LATCH RUBBER PKD	
K1	1464927000	1	FAN RADIAL 24V KIT	



PANEL FILTER

SW4000 B NIL

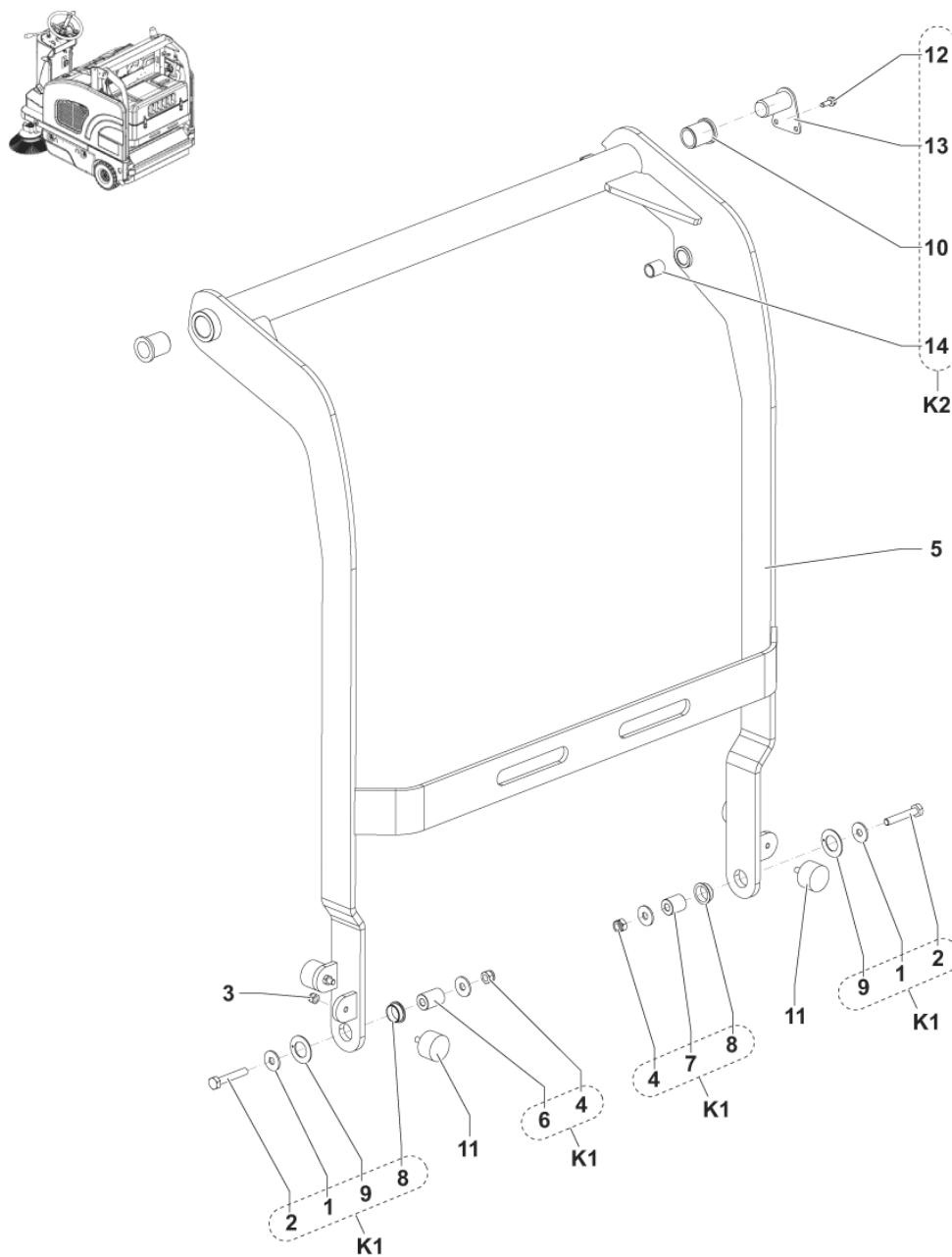
2017.11.02

2015.05.14

No.	Part No.	Qty.	Description	Part Note
1		8	K3	
2		4	K3	
3	9098257000	4	NUT THUMB SQUEEGEE FIXING	
4	1467878000	1	FILTER PANEL POLYESTER SPUNBOND SIP	
4	1464189000	1	FILTER PANEL PAPER	[1]
4	1465402000	1	FILTER PANEL PAPER OPEN	[1]
4	1465403000	1	FILTER PANEL POLYESTER	[1]
5		8	K3	
6		1	K1	
7		1	K2	
8		1	K2	
9		4	K2	
10		1	K2	
11		8	K2	
12		2	K2	
13	145 5539 000	1	MOTOR FILTER SHAKER 90W	
14		4	K2	
15		1	K1	
16		2	K1	
17		4	K2	
K1	1464918000	1	SHAKER FILTER KIT	
K2	1465061000	1	HARDWARE SHAKER FIXING	
K3	1465062000	1	HARDWARE FILTER PLATE	

Part Notes:

[1] - OPTIONAL



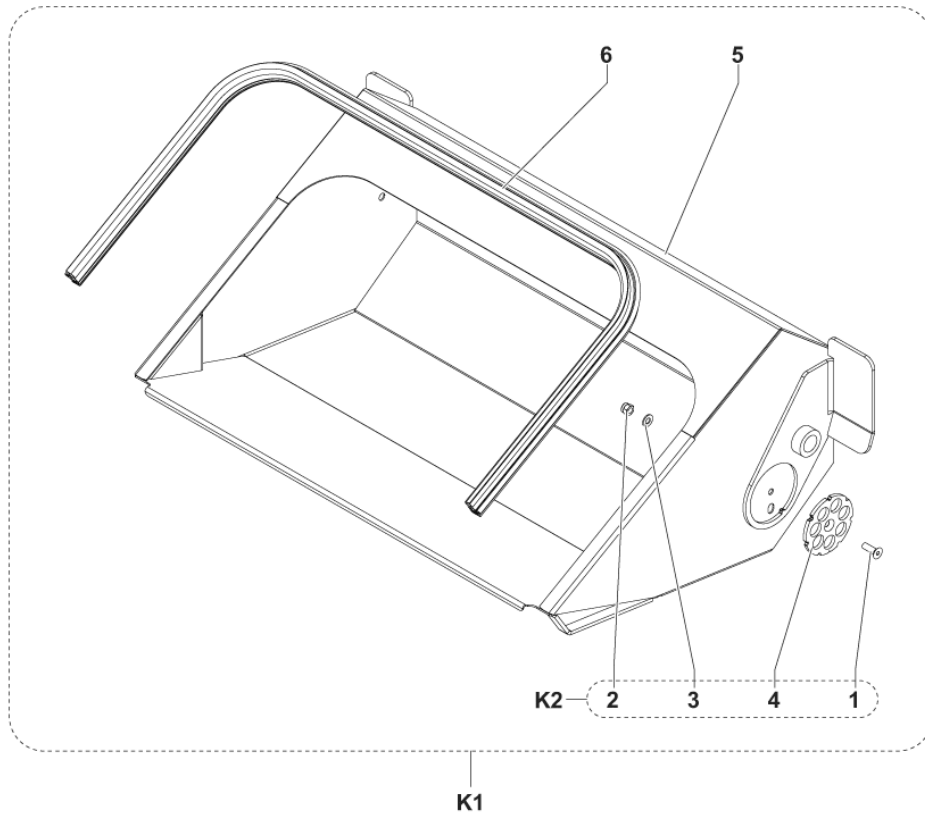
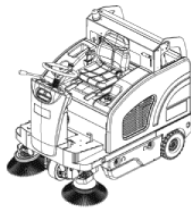
LIFTING ARMS

SW4000 B NIL

2017.11.02

2017.06.13

No.	Part No.	Qty.	Description	Part Note
1		4	K1	
2		2	K1	
3	33005533	4	NUT HEX M8 UNI5589	
4		2	K1	
5	1464159000	1	ARM LIFTING	
6		1	K1	
7		1	K1	
8		2	K1	
9		2	K1	
10		2	K2	
11	1467047000	4	BUMPER M8 40x25MM PKD	
12		2	K2	
13		2	K2	
14		1	K2	
K1	1465063000	1	ARM PRIMARY HOPPER	
K2	1465064000	1	PIN PRIMARY ARM KIT	



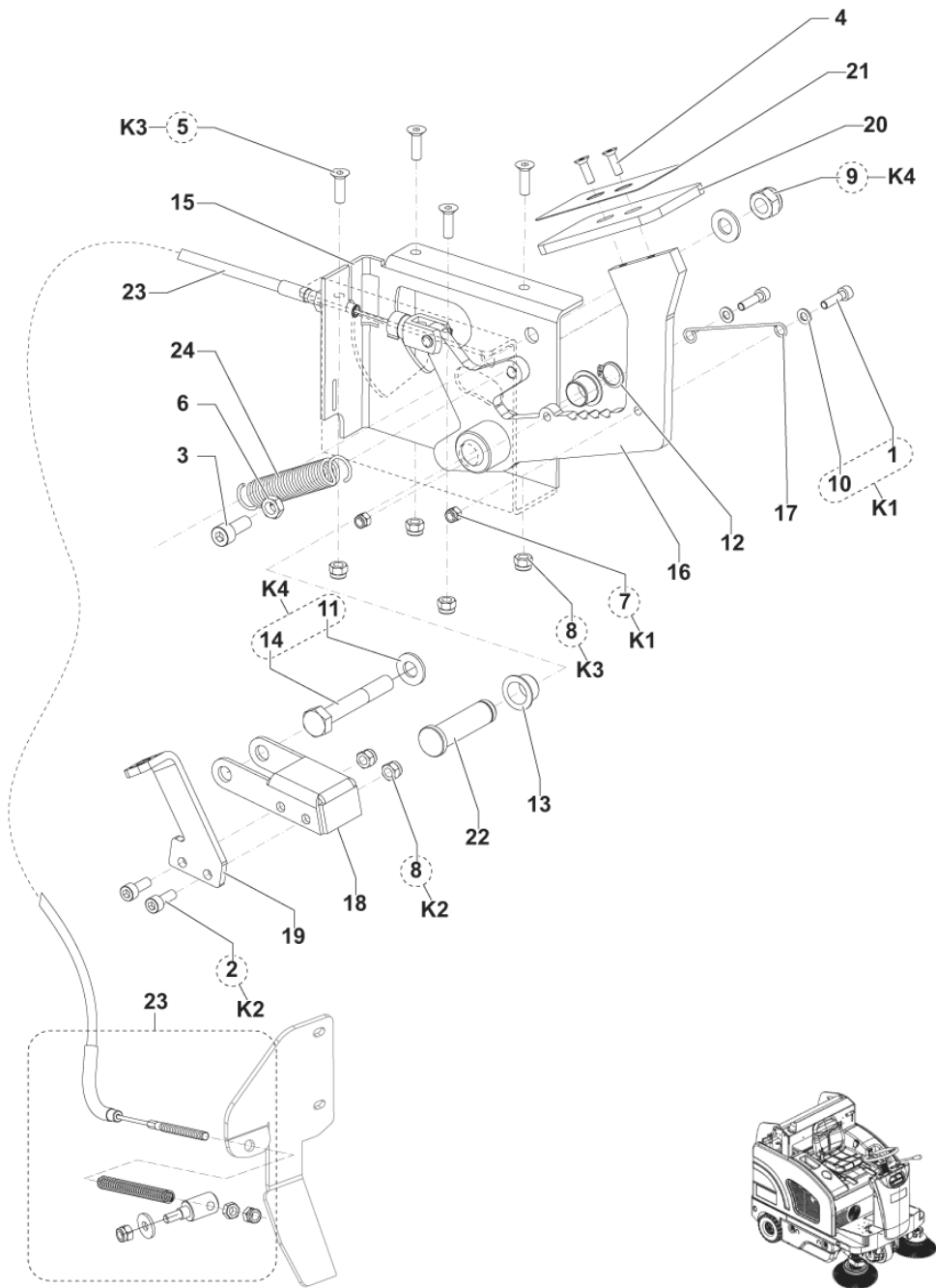
HOPPER SYSTEM

SW4000 B NIL

2017.11.02

2014.01.10

No.	Part No.	Qty.	Description	Part Note
1		1	K2	
2		1	K2	
3		1	K2	
4		1	K2	
5		1	K1	
6	1464535000	1	GASKET RUBBER L.1430MM	
K1	1464917000	1	HOPPER WASTE KIT	
K2	1465065000	1	FLANGE HOPPER SETTING KIT	



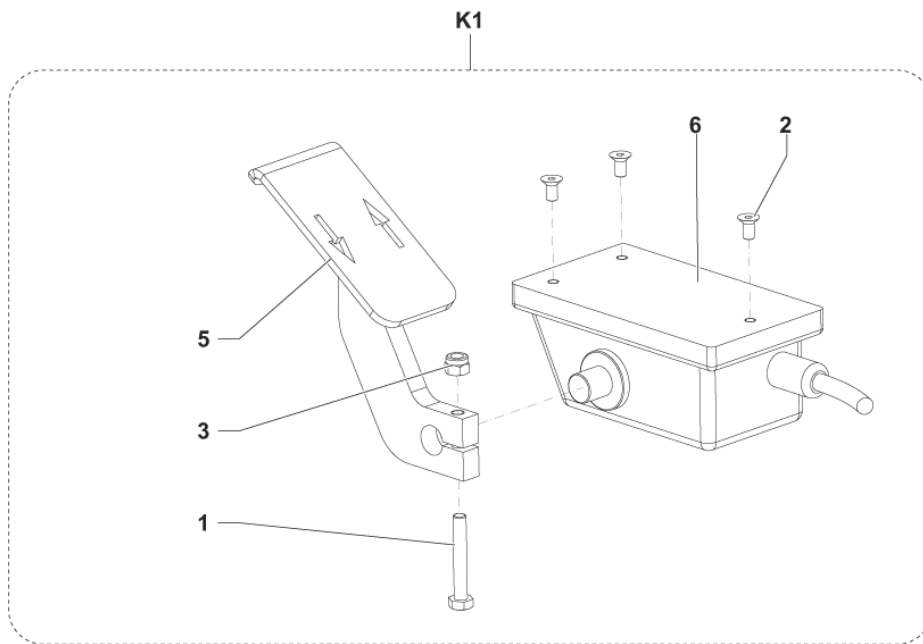
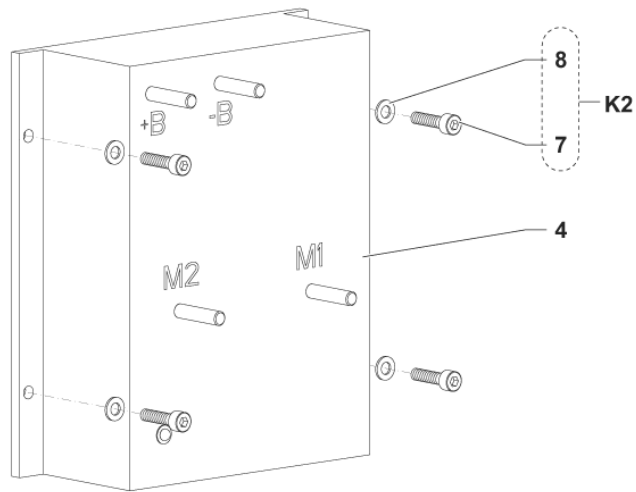
PEDAL BRAKE

SW4000 B NIL

2017.11.02

2016.04.22

No.	Part No.	Qty.	Description	Part Note
1		2	K1	
2		2	K2	
3	33004365	1	SCREW M8X20 UNI5931	
4	33004563	2	SCREW M5X16 UNI5933	
5		4	K3	
6	33005533	1	NUT HEX M8 UNI5589	
7		2	K1	
8		6	K3	
9		1	K4	
10		2	K1	
11		2	K4	
12	33006054	1	RING D 15 UNI7435	
13	146 0903 000	2	BALL BEARING	
14		1	K4	
15	1464217000	1	SUPPORT BRAKE	
16	1464218000	1	LEVERÂ BRAKE	
17	1464219000	1	SPRING LOCK BRAKE	
18	1464220000	1	LOCK PARKING BRAKE	
19	1464221000	1	PEDAL LOCK BRAKE	
20	1464222000	1	PLATE BRAKE PEDAL	
21	1464223000	1	MAT ANTI SLIP BRAKE PEDAL	
22	1464224000	1	PIN BRAKE PEDAL	
23	1467456000	1	CABLE BRAKE KIT	
24	1467046000	1	SPRING BRAKE PKD	
K1	1465066000	1	HARDWARE SPRING LOCK	
K2	1465067000	1	HARDWARE LOCK BRAKE	
K3	1465068000	1	HARDWARE SUPPORT BRAKE	
K4	1465069000	1	HARDWARE LOCK TOOTH KIT	



ACCELERATOR PEDAL

SW4000 B NIL

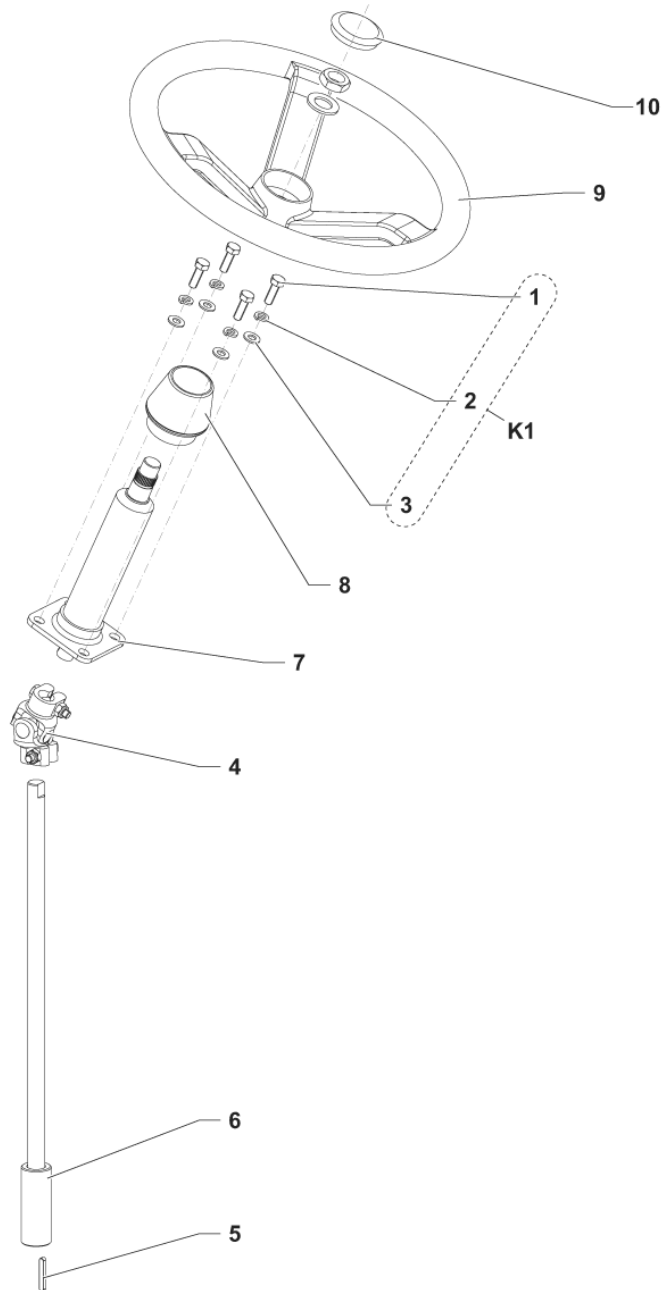
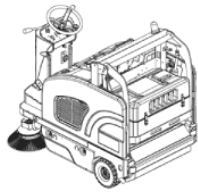
2017.11.02

2018.02.28

No.	Part No.	Qty.	Description	Part Note
1		1	K1	
2		3	K1	
3		1	K1	
4	1466210000	1	CONTROLLER DRIVE WHEEL	
4	1466207000	1	PROGRAMMER F ELECTRONIC	[1]
5	1464368000	1	PEDAL THROTTLE	
6	1464425000	1	ACCELERATOR ELECTRONIC	
7		4	K2	
8		4	K2	
K1	1464922000	1	ACCELERATOR ELECTRONIC	
K2	1465070000	1	HARDWARE TRACTION BOARD	

Part Notes:

[1] - SERVICE TOOL - NOT SHOWN



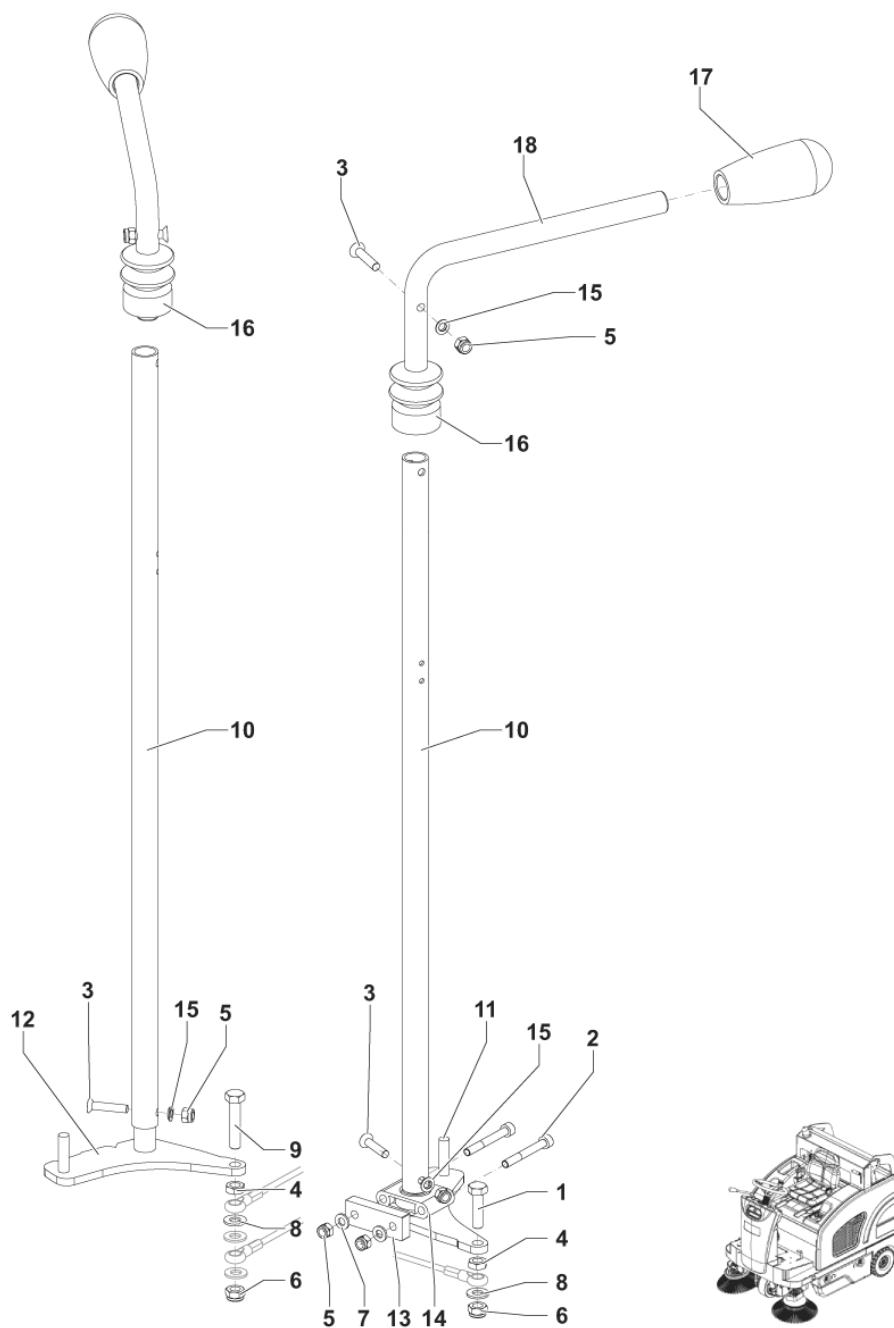
STEERING COLUMN

SW4000 B NIL

2017.11.02

2016.04.13

No.	Part No.	Qty.	Description	Part Note
1		4	K1	
2		4	K1	
3		4	K1	
4	1466319000	1	JOINT UNIVERSAL D.17 SIP	
5	146 0830 000	1	KEY 5X5X36 UNI6604A	
6	1463895000	1	SHAFT STEERING	
7	1464136000	1	COLUMN STEERING	
8	1467055000	1	COVER FOR STEERING	
9	1467048000	1	WHEEL STEERING D.362 PKD	
10	1467031000	1	CAP PKD	
K1	1465071000	1	HARDWARE STEERING	



BROOM LEVERS

SW4000 B NIL

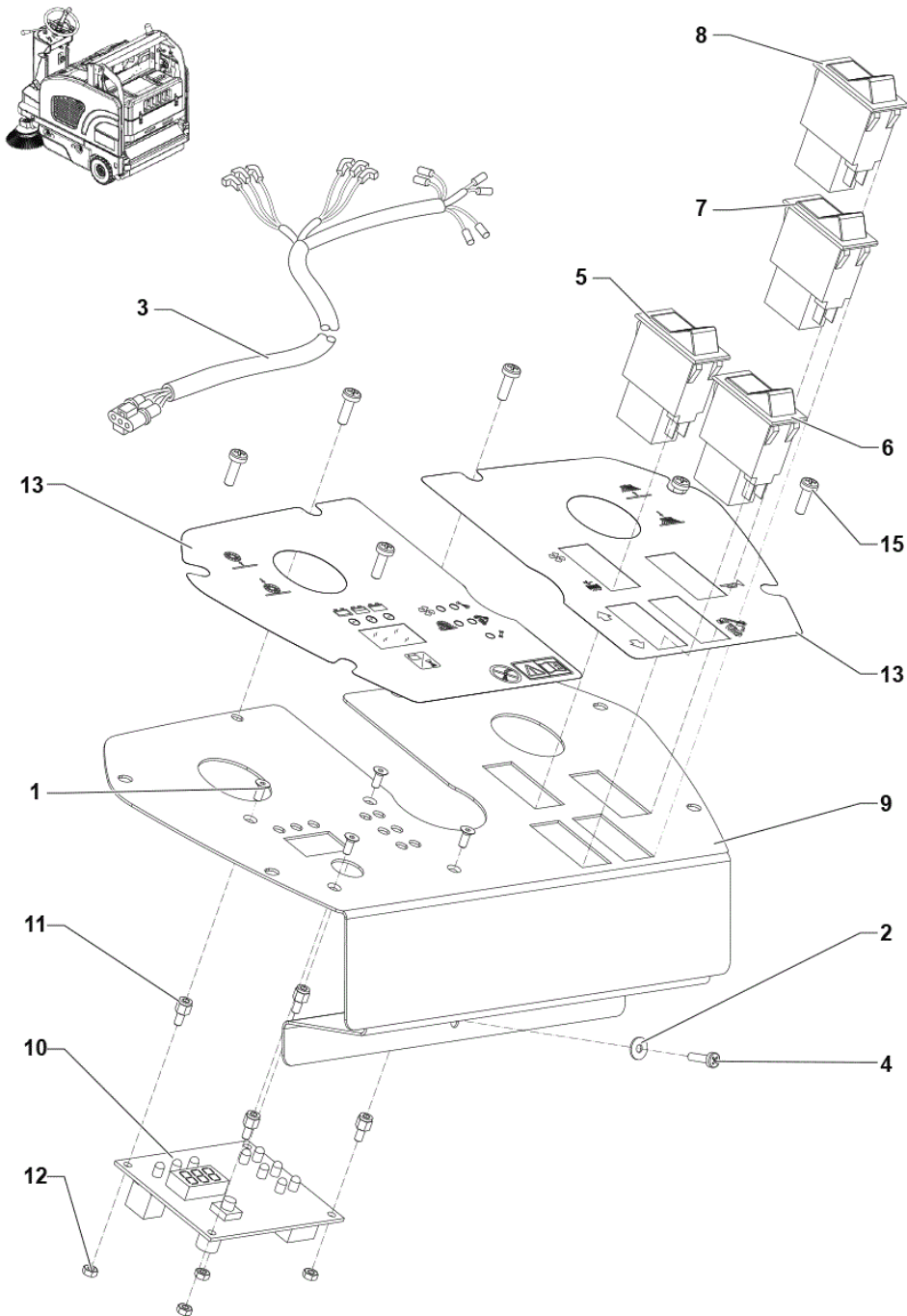
2017.11.02

2020.01.06

No.	Part No.	Qty.	Description	Part Note
1		1	K1	
2		2	K1	
3		4	K1	
4		2	K1	
5		6	K1	
6		2	K1	
7		2	K1	
8		2	K1	
9		1	K1	
10	1464174000	2	PIPE LEVER EXTENSION	
11	1464175000	1	LEVER MAIN BROOM	
12	1464176000	1	LEVER SIDE BROOM	
13	1465090000	1	PLATE FOR ARTICULATED	
14	1465091000	1	SUPPORT ARTICULATED	
15		4	K1	
16	146 2456 000	2	BELLOW RUBBER	
17	1464151000	2	HANDLE LEVER	
18	1467872000	2	LEVER BROOM CONTROL SIP	
K1	1464820000	1	HARDWARE BROOM LEVERS KIT	[1]

Part Notes:

[1] - NOT SHOWN



CONTROL PANEL

SW4000 B NIL

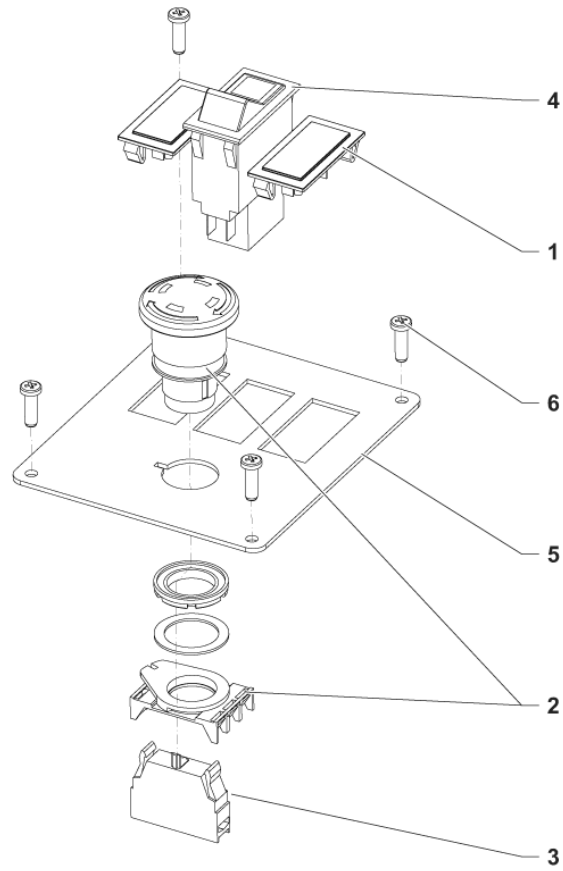
2018.02.28

2019.06.18

No.	Part No.	Qty.	Description	Part Note
1		4	K1	
2		1	K1	
3	1464340000	1	HARNESS CONTROL PANEL	
4		1	K1	
5	146 0846 000	1	BUTTON	
6	1465400000	1	SWITCH FW RW KIT	
7	1465399000	1	SWITCH HOPPER LEAD KIT	
8	146 0845 000	1	BUTTON	
9	1464179000	1	PANEL CONTROL	
10	1467823000	1	CARD ELECTRONIC CONTROL PANEL SIP	
10	1467820000	1	CARD ELECTRONIC DISPLAY UPDATE KIT	[1]
11		4	K1	
12		4	K1	
13	1467759000	1	DECAL CONTROL PANEL BATTERY KIT	
15		6	K1	
K1	1465072000	1	HARDWARE FOR DISPLAY	[2]

Part Notes:

- [1] - Including decal
- [2] - NOT SHOWN



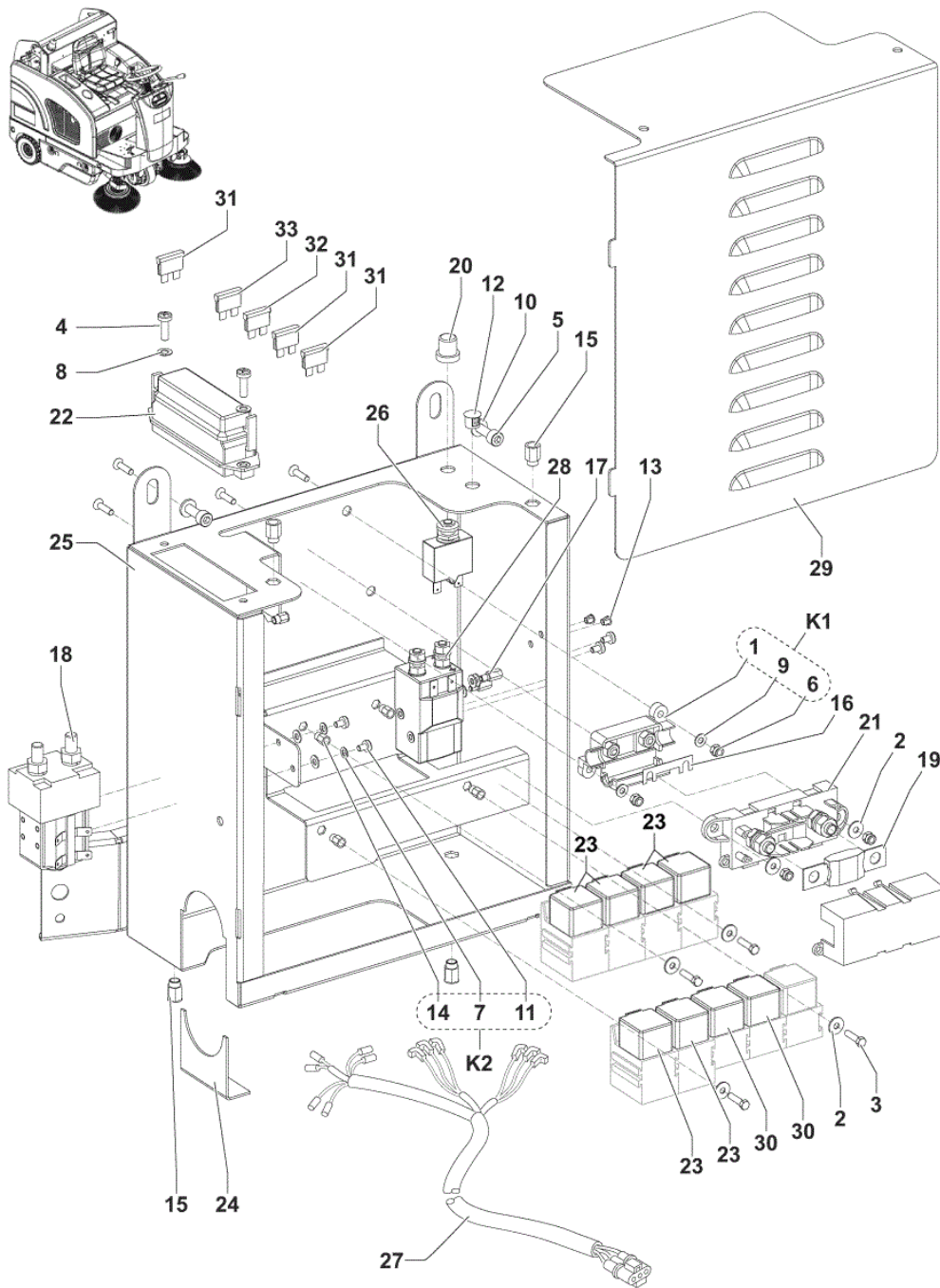
CONTROL PANEL COVER

SW4000 B NIL

2017.11.02

2017.01.30

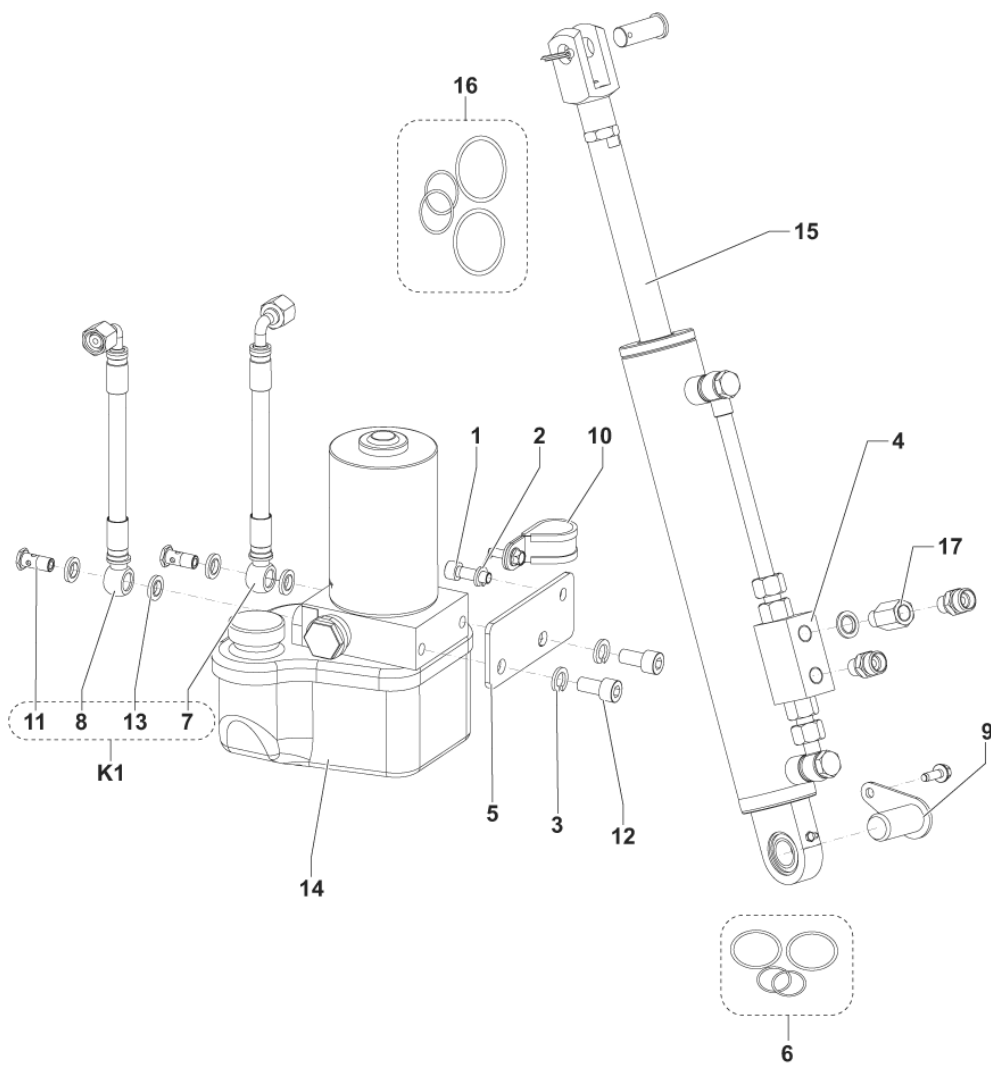
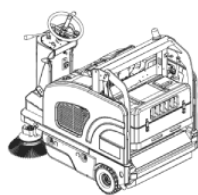
No.	Part No.	Qty.	Description	Part Note
1	146 1284 000	2	CAP	
2	1466683000	1	SWITCH EMERGENCY KIT	
3	146 1728 000	1	CONTACT NC	
4	1465398000	1	SWITCH HOPPER RAISING KIT	
5	1464411000	1	PLATE EMERGENCY SWITCH	
6	1465072000	4	HARDWARE FOR DISPLAY	



No.	Part No.	Qty.	Description	Part Note
1		1	K1	
2		6	K3	
3		4	K3	
4		2	K3	
5		2	K3	
6		4	K1	
7		4	K2	
8		2	K3	
9		8	K1	
10		2	K3	
11		4	K2	
12	145 4259 000	1	Cap d.11,9	
13	145 4271 000	2	CAP d. 6.4	
14		6	K2	
15		4	K3	
16	145 9854 000	1	Fuse 50A	
17		2	K3	
18	1464982000	1	SWITCH ELECTROMAGNETIC	
19	146 0840 000	1	FUSE MEGAFUSE 150A	
20	33017386	1	BOOT CIRCUIT BREAKER	
21	146 1169 000	1	HOLDER FUSE	
22	146 1170 000	1	HOLDER FUSE 8 WAYS	
23	909 6622 000	4	RELAY 24V 40A	
24	1463923000	1	PLATE CLOSURE	
25	1466974000	1	BOX ELECTRIC METAL	
26	1464336000	1	CIRCUIT BREAKER 15A	
27		1	K3	
28	9097208000	1	SWITCH ELECTROMAGNETIC	
29	1467600000	1	COVER ELECTRIC BOX MET.	
30	1464289000	2	RELAIS 24V 20/30A	[1]
31	145 8514 000	3	Fuse 25A	
32	9100000878	1	FUSE BLADE 3A SIP	
33	1467034000	1	FUSE BLADE 10A PKD	
34	1466984000	1	GEARCASE HYDRAULIC	[2]
K1	1465073000	1	HOLDER FUSE KIT	
K2	1465074000	1	HARDWARE CONTACTOR KIT	
K3	1466979000	1	BOX ELECTRIC CPL	[3]

Part Notes:

- [1] - TSB-FC-2017-024 hopper relay SW4000
 [2] - NOT SHOWN - SEE INST. INSTR. 1466982000
 [3] - NOT SHOWN



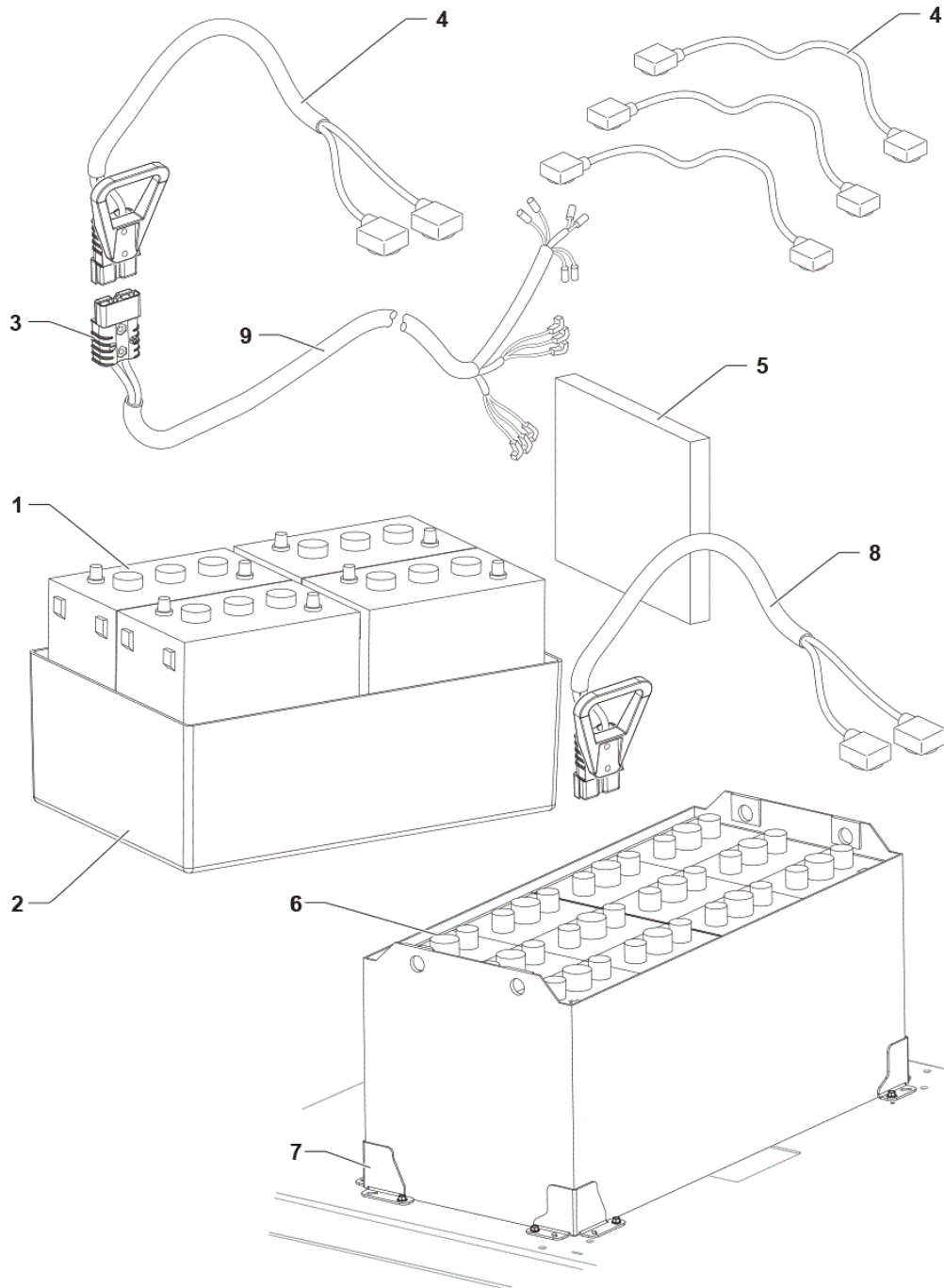
HYDRAULIC SYSTEM

SW4000 B NIL

2017.11.02

2018.01.16

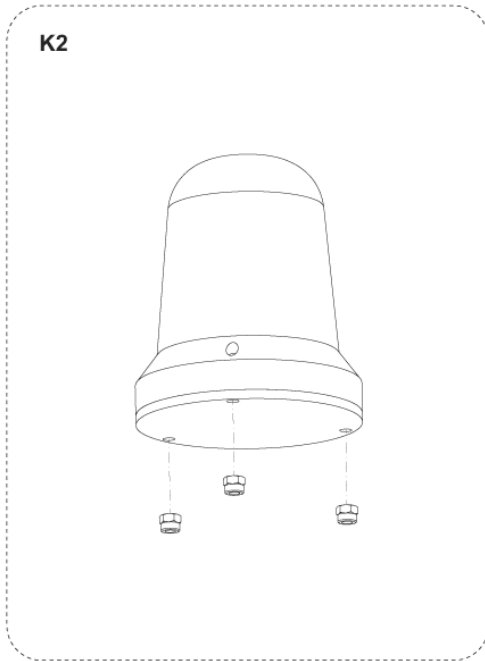
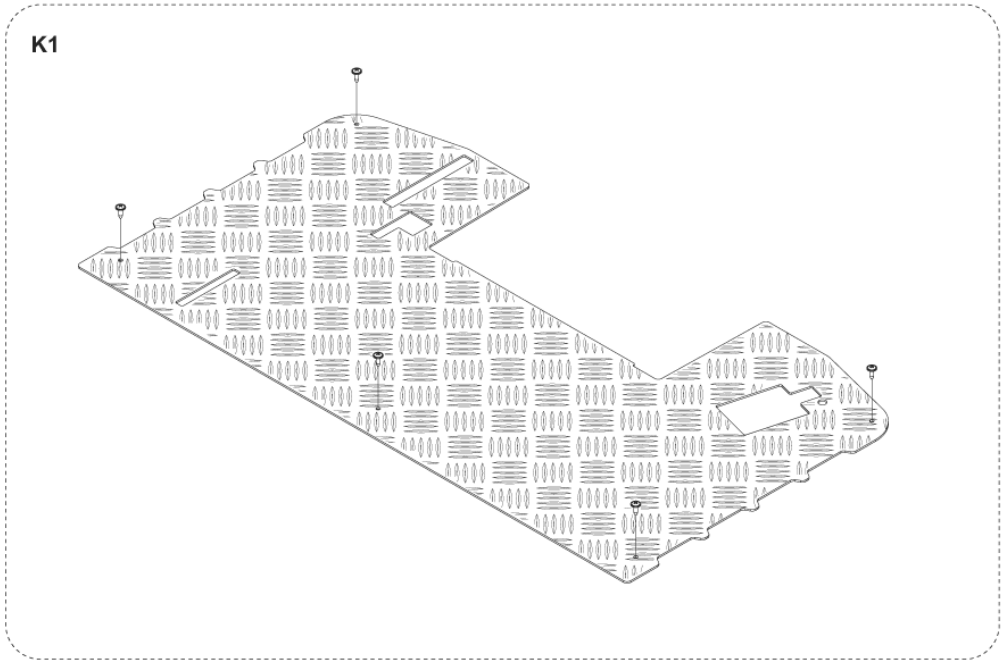
No.	Part No.	Qty.	Description	Part Note
1	33004366	1	SCREW M8X25 UNI5931	
2	33023223	1	WASHER SPRING LOCK M8	
3	33005843	2	WASHER M10 UNI1751B	
4	1467054000	1	VALVE BLOCK PKD	
5	1464233000	1	BRACKET FOR HYDRAULIC	
6	1465095000	1	GASKETS FOR PISTON KIT	
7		1	K1	
8		1	K1	
9	1464247000	1	PIN LOWER CILYNDER	
10	33020367	1	CLAMP HOSE D.25	
11		2	K1	
12	145 5742 000	2	SCREW	
13		4	K1	
14	1465177000	1	GEARCASE HYDRAULIC	
15	1464920000	1	CYLINDER KIT	
16	1465096000	1	GASKETS FOR CYLINDER	
17	1465097000	1	CYLINDER FIXING KIT	
K1	1464919000	1	HOSES HYDRAULIC WITH	



No.	Part No.	Qty.	Description	Part Note
1	80565000	4	BATT. 6V-255AH WET SEMI	[1]
1	80564000	4	BATT. 6V-180AH GEL	[2]
1	80564100	4	BATT. 6V-240AH GEL	[1]
1	80563200	4	BATT. 6V-200AH WET TUBULAR MONOBLOC	[1]
2	145 4692 000	1	CONTAINER BATTERY	
3	1467029000	2	CONNECTOR 175A RED PKD	
4	1467534000	1	HARNESS BATTERY KIT	[3]
4	1467704000	1	HARNESS BATTERY US KIT	[4]
5	146 0668 000	4	PANEL INSULATING	
6	80563300	1	BATT.24V-300AH WET TRAY WITH AQUAMATIC	
6	80565200	1	BATTERY TRACTION 24V	[1]
6	80565300	1	BATTERY TRACTION 24V	[1]
7	1465171000	1	BRACKETS BATTERY FIXING	[5]
8	1467717000	1	HARNESS F BATTERY TRACTION US SIP	[6]
9	1464338000	1	HARNESS MACHINE BATTERY	[3]
9	1467718000	1	HARNESS MACHINE BATTERY US SIP	[7]

Part Notes:

- [1] - OPTIONAL
- [2] - OPTIONAL
 - TSB-FC-2019-033 Exide GEL battery
 - DE TSB-FC-2019-033 Exide GEL Batterien
- [3] - EU VERSION ONLY
- [4] - OPENED BY MISTAKE
US VERSION ONLY
- [5] - OPTIONAL - USE WITH THE STEEL TRAY BATTERY
- [6] - ITEM NO LONGER AVAILABLE
OPTIONAL -US VERSION ONLY - USE WITH THE STEEL TRAY BATTERY
- [7] - US VERSION ONLY



FLOOR MAT AND BEACON

SW4000 B NIL

2017.11.02

2014.01.09

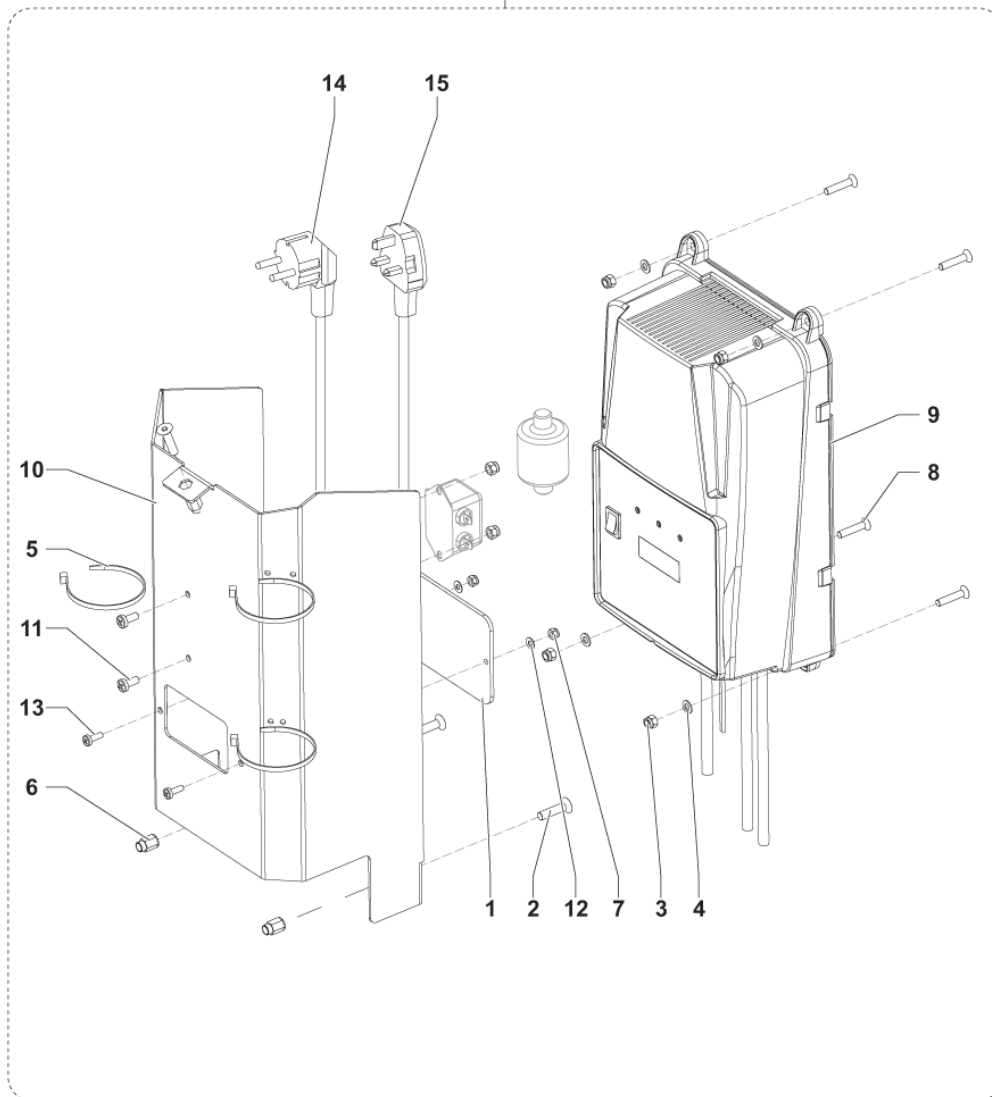
No.	Part No.	Qty.	Description	Part Note
K1	1464957000	1	MAT FLOOR KIT	[1]
K2	1464948000	1	BEACON KIT	[2]

Part Notes:

- [1] - OPTIONAL
- [2] - OPTIONAL - INSTALLATION INSTRUCTION REF. 1465248000



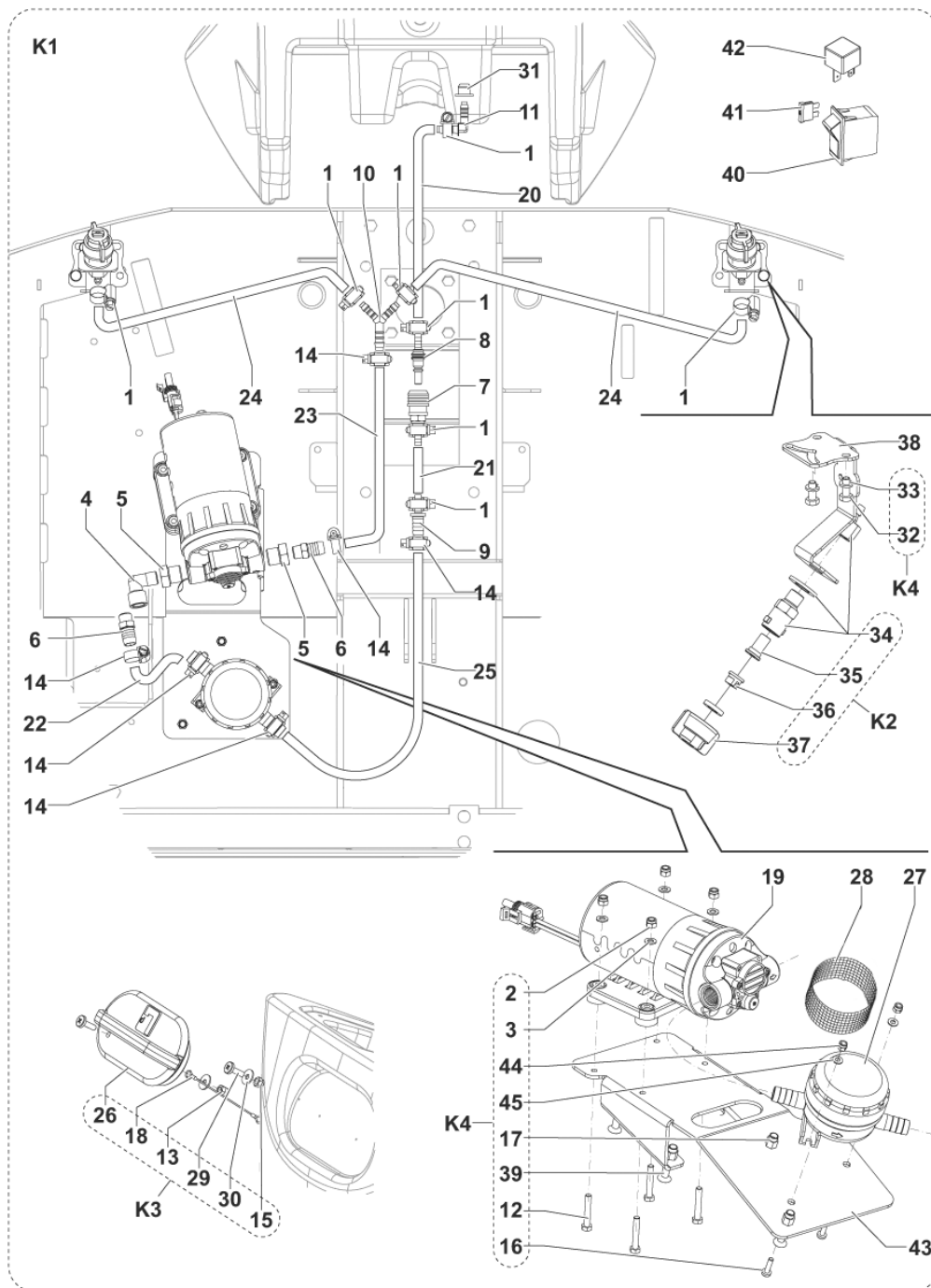
K1



No.	Part No.	Qty.	Description	Part Note
1	9100001064	1	COVER F INSPECTION	
2		3	K1	
3		6	K1	
4		4	K1	
5		3	K1	
6		3	K1	
7		2	K1	
8		4	K1	
9		1	K1	
10	1465131000	1	COVER BATTERY CHARGER	
11		2	K1	
12		2	K1	
13		2	K1	
14	9100000787	1	CABLE EXTENSION EU PLUG	
15	1466318000	1	CABLE EXTENSION UK PLUG	
K1	1465175000	1	CHARGER ON BOARD KIT	[1]

Part Notes:

[1] - OPTIONAL - INSTALLATION INSTRUCTION REF. 1465324000



ACCESSORIES 2

SW4000 B NIL

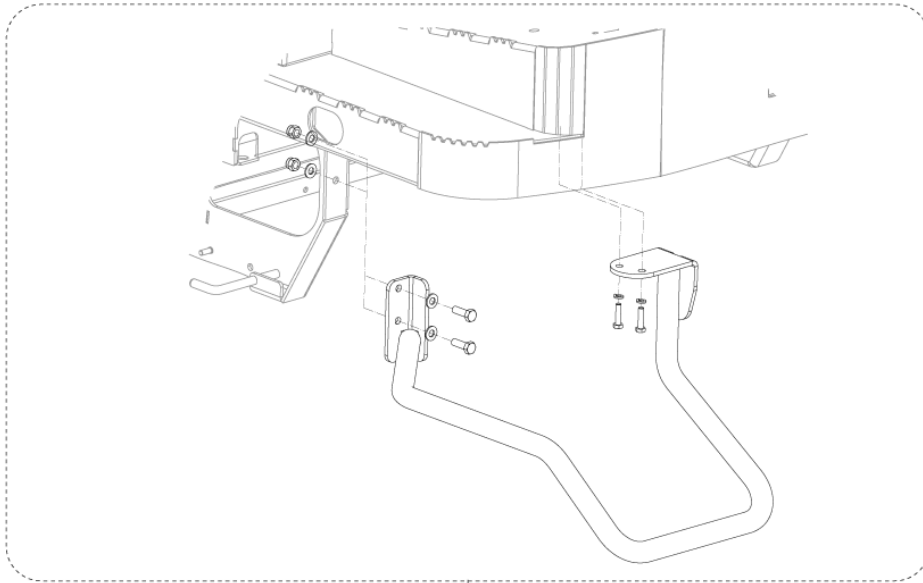
2017.11.02

2017.06.19

No.	Part No.	Qty.	Description	Part Note
1		8	K5	
2		4	K4	
3		4	K4	
4		1	K6	
5		2	K6	
6		2	K6	
7	1465915000	1	CONNECTOR FEMALE	
8	1465916000	1	CONNECTOR MALE	
9		1	K6	
10		1	K6	
11		1	K6	
12		4	K4	
13		1	K3	
14		6	K5	
15		1	K3	
16		2	K4	
17		6	K4	
18		1	K3	
19	1465647000	1	PUMP WATER KIT	
20		1	K5	
21		1	K5	
22		1	K5	
23		1	K5	
24		2	K5	
25		1	K5	
26		1	K3	
27	9100000860	1	FILTER WATER PKD	
28	9100000861	1	NET WATER FILTER	
29		2	K3	
30		2	K3	
31		1	K6	
32		4	K4	
33		4	K4	
34	33020865	2	ADAPTER SPRAY KIT	
35	1467245000	2	CHECK VALVE FILTER PKD	
36	1467246000	2	NOZZLE SPRAY D.0.33 SS	
36	1467247000	2	NOZZLE SPRAY D. 0.53	
37	1467248000	2	RING NUT QUICK COUPLING	
38	1464473000	2	SUPPORT NOZZLES	
39		6	K4	
40	1465401000	1	SWITCH DUST GUARD KIT	
41	145 9852 000	1	FUSE 5 AMP	
42	1464289000	1	RELAIS 24V 20/30A	[1]
43	1465172000	1	PLATE FOR PUMP WATER	
44		2	K4	
45		2	K4	
K1	1464953000	1	DUST GUARD KIT	[2]
K2	33019324	2	NOZZLE SPRAY KIT	
K3	1465355000	1	CAP SOLUTION TANK KIT	
K4	1465356000	1	HARDWARE DUSTGUARD KIT	
K5	1465357000	1	HOSES POLYESTER	[3]
K6	1465358000	1	FITTINGS AND REDUCTIONS	[3]

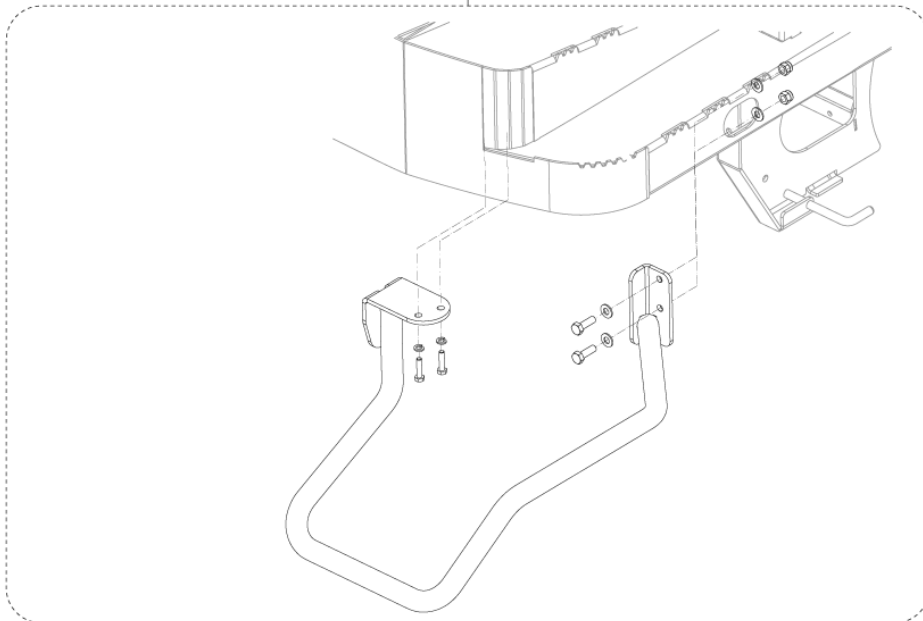
Part Notes:

- [1] - TSB-FC-2017-024 hopper relay SW4000
- [2] - OPTIONAL - INSTALLATION INSTRUCTION REF. 1465244000
- [3] - NOT SHOWN



K1

K2



ACCESSORIES 3

SW4000 B NIL

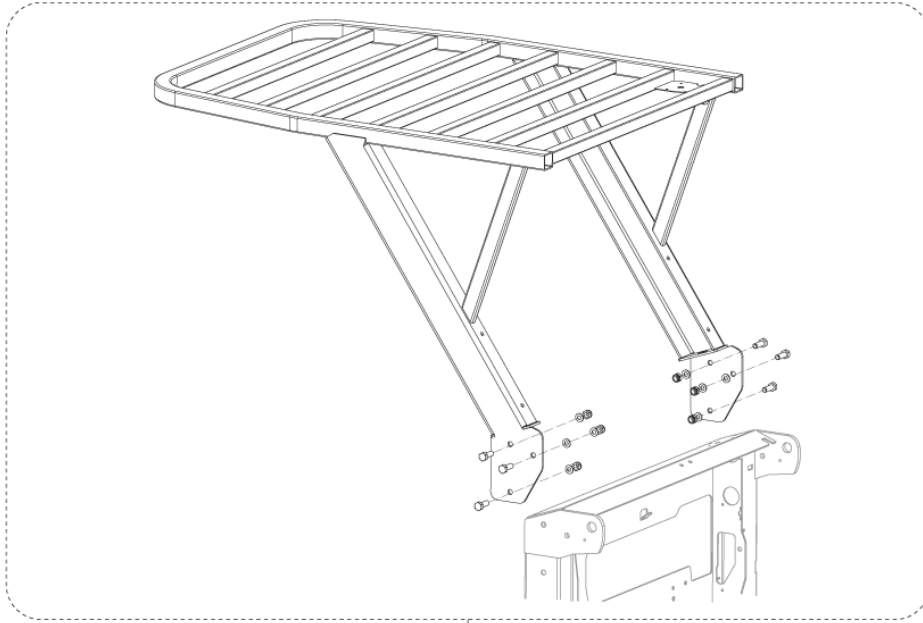
2017.11.02

2015.05.14

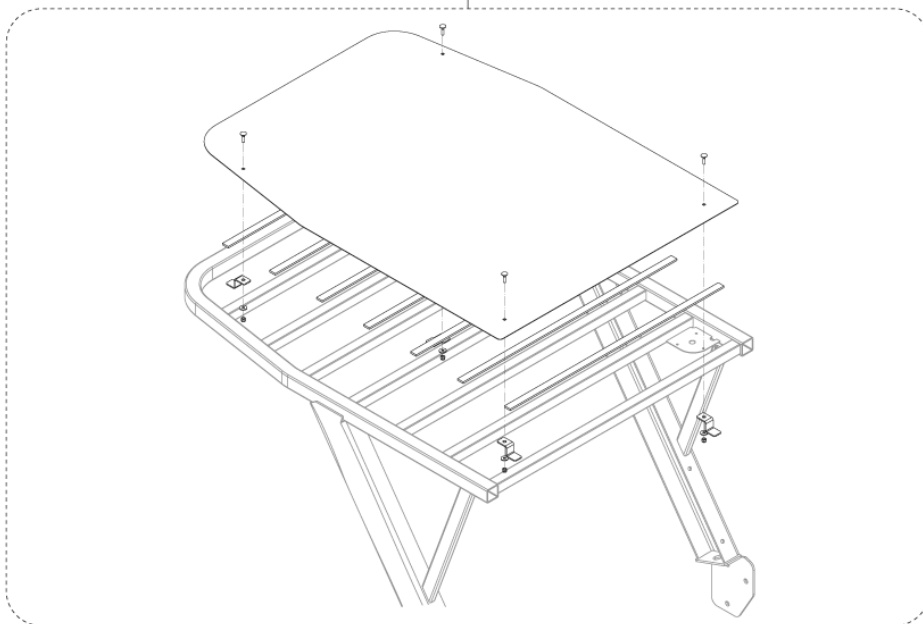
No.	Part No.	Qty.	Description	Part Note
K1	1464958000	1	GUARD RIGHT SIDE BROOM	[1]
K2	1464959000	1	GUARD LEFT SIDE BROOM KIT	[1]

Part Notes:

[1] - OPTIONAL - INSTALLATION INSTRUCTIONS REF. 1465243000



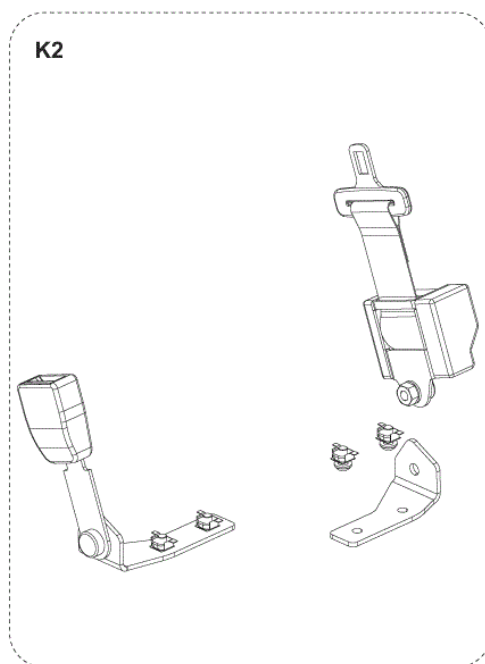
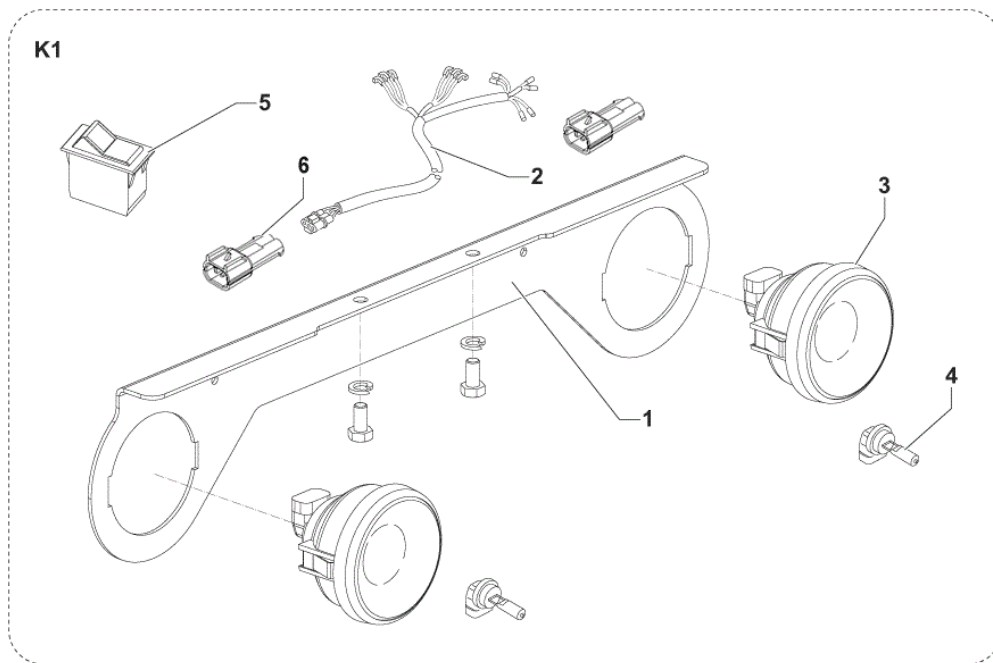
K1
K2



No.	Part No.	Qty.	Description	Part Note
K1	1464952000	1	OVERHEAD GUARD KIT	[1]
K2	1464956000	1	CANOPY KIT	[2]

Part Notes:

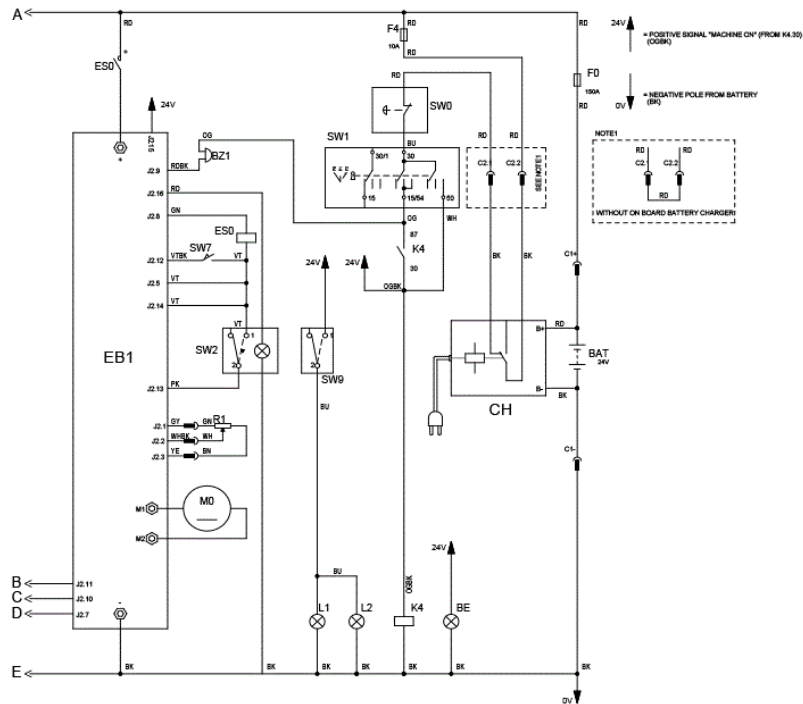
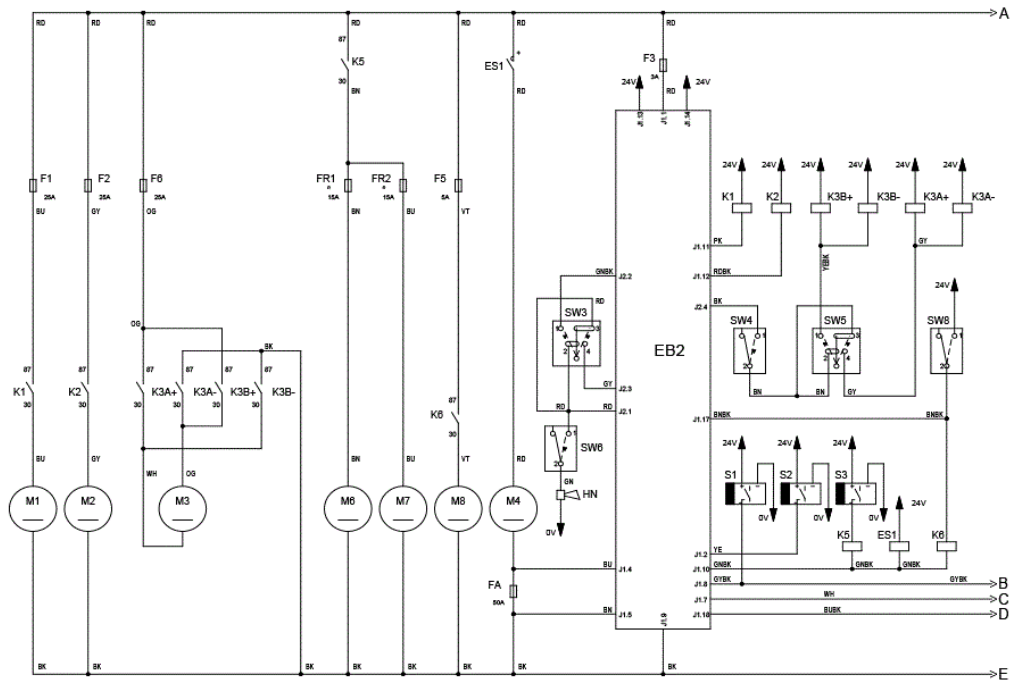
- [1] - OPTIONAL - INSTALLATION INSTRUCTIONS REF. 1465246000
- [2] - OPTIONAL - INSTALLATION INSTRUCTIONS REF. 1465247000



No.	Part No.	Qty.	Description	Part Note
1	1466357000	1	BRACKET FRONT LIGHT SIP	
2	1466359000	1	HARNES WORK LIGHTS SIP	
3	1466356000	2	LIGHT WORK 24V CPL SIP	
4	1466358000	2	BULB LIGHT 24V 70W H3 SIP	
5	146 1167 000	1	SWITCH	
6	1467754000	2	CONNECTOR 2 WAYS KIT	
7	1466362000	1	LIGHTS WORK UPGRADE KIT	[1]
K1	1466346000	1	LIGHTS FRONT KIT 24V 70W	[2]
K1	1466347000	1	LIGHTS FRONT KIT 24V 70W SW4000 UL	[3]
K2	1464954000	1	BELTS SAFETY KIT	[4]
K3	33019556	1	ARM REST RIGHT SIDE KIT	[5]
K4	1464960000	1	ARM REST LEFT SIDE KIT	[6]

Part Notes:

- [1] - NOT SHOWN - POS. 1-3-4
- [2] - OPTIONAL - INSTALLATION INSTRUCTION REF. 1465245000
SEE TSB-FC-2015-013
- [3] - ONLY FOR "US" ADVANCEVERSION
- [4] - OPTIONAL - INSTALLATION INSTRUCTION REF. 1465248000
- [5] - OPTIONAL - NOT SHOWN - INSTALLATION INSTRUCTION REF. 33019211
- [6] - OPTIONAL - NOT SHOWN - INSTALLATION INSTRUCTION REF. 1465249000



No.	Part No.	Qty.	Description	Part Note
BZ1	909 6126 000		BUZZER 5-32V	
BE	1464948000		BEACON KIT	
C1	1467029000		CONNECTOR 175A RED PKD	
CH	1465175000		CHARGER ON BOARD KIT	
EB1	1466210000		CONTROLLER DRIVE WHEEL	
EB2	1467823000		CARD ELECTRONIC CONTROL PANEL SIP	
ES0	1464982000		SWITCH ELECTROMAGNETIC	
ES1	9097208000		SWITCH ELECTROMAGNETIC	
FA	145 9854 000		Fuse 50A	
F0	146 0840 000		FUSE MEGAFUSE 150A	
F1	145 8514 000		Fuse 25A	
F2	145 8514 000		Fuse 25A	
F3	9100000878		FUSE BLADE 3A SIP	
F4	1467034000		FUSE BLADE 10A PKD	
F5	145 9852 000		FUSE 5 AMP	
F6	145 8514 000		Fuse 25A	
FR1	1464336000		CIRCUIT BREAKER 15A	
FR2	1464336000		CIRCUIT BREAKER 15A	
HN	1467032000		HORN 24V PKD	
K1	909 6622 000		RELAY 24V 40A	
K2	909 6622 000		RELAY 24V 40A	
K3A+,-	909 6622 000		RELAY 24V 40A	
K3B+,-	909 6622 000		RELAY 24V 40A	
K4	1464289000		RELAIS 24V 20/30A	
K5	1464289000		RELAIS 24V 20/30A	
K6	1464289000		RELAIS 24V 20/30A	[1]
L1, L2	33019229		HEADLIGHT 24V	[2]
M0	1464913000		MOTORWHEEL KIT	
M1	1467040000		FAN RADIAL 24V PKD	
M2	145 5539 000		MOTOR FILTER SHAKER 90W	
M3	1465177000		GEARCASE HYDRAULIC	
M4	1467562000		MOTOR MAIN BROOM 24V	
M6	1464241000		GEARMOTOR FOR RIGHT	
M7	1464242000		GEARMOTOR LEFT SIDE BROOM	
M8	1465647000		PUMP WATER KIT	
R1	1464425000		ACCELERATOR ELECTRONIC	
S1	1467062000		SWITCH BACK UP	
S2	1467062000		SWITCH BACK UP	
S3	1467062000		SWITCH BACK UP	
SW0	1466683000		SWITCH EMERGENCY KIT	
SW1	33020442		KEY START ASSY WITH	
SW2	1465400000		SWITCH FW RW KIT	
SW3	146 0846 000		BUTTON	
SW4	1465399000		SWITCH HOPPER LEAD KIT	
SW5	1465398000		SWITCH HOPPER RAISING KIT	
SW6	146 0845 000		BUTTON	
SW8	1465401000		SWITCH DUST GUARD KIT	
SW9	146 1167 000		SWITCH	

Part Notes:

- [1] - TSB-FC-2017-024 hopper relay SW4000
[2] - SEE TSB-FC-2015-013

RECOMMENDED SPARE PARTS

SW4000 B NIL

2017.11.02

2018.12.10

No.	Part No.	Qty.	Description	Part Note
NW	1467062000	3	SWITCH BACK UP	
OM	33020442	1	KEY START ASSY WITH	
EOM	33006165	1	RING D 35 UNI7437	
EOM	33019324	2	NOZZLE SPRAY KIT	
EOM	1467246000	2	NOZZLE SPRAY D.0.33 SS	
EOM	1467245000	2	CHECK VALVE FILTER PKD	
EOM	1467247000	2	NOZZLE SPRAY D. 0.53	
EOM	1467039000	2	SPRING TRACTION CARBON	
EOM	1463358000	2	SPRING GAS 40KG	
EOM	1467040000	1	FAN RADIAL 24V PKD	
EOM	1463916000	1	PLATE FRONT SKIRT	
EOM	1464181000	1	BUSHING SUPPORT LEVER	
EOM	1467878000	1	FILTER PANEL POLYESTER SPUNBOND SIP	
EOM	1467894000	1	GASKET BULB RUBBER L.2450 MM SIP	
EOM	1466210000	1	CONTROLLER DRIVE WHEEL	
EOM	1464219000	1	SPRING LOCK BRAKE	
EOM	1464241000	1	GEARMOTOR FOR RIGHT	
EOM	1464242000	1	GEARMOTOR LEFT SIDE BROOM	
EOM	1467823000	1	CARD ELECTRONIC CONTROL PANEL SIP	
EOM	1464266000	1	BELT HTD 825-5M	
EOM	1464275000	1	SKIRT REAR RECYCLE	
EOM	1464276000	1	PLATE REAR SKIRT FIXING	
EOM	1464277000	1	PLATE REAR SKIRT	
EOM	1464278000	2	PLATE SIDE KIRT FIXING	
EOM	1464289000	2	RELAIS 24V 20/30A	
EOM	1464336000	1	CIRCUIT BREAKER 15A	
EOM	1464337000	1	FLAP METAL FRONT	
EOM	1464413000	1	CABLE MAIN BROOM	
EOM	1464414000	1	CABLE RIGHT SIDE BROOM	
EOM	1464415000	1	CABLE LEFT SIDE BROOM	
EOM	1464425000	1	ACCELERATOR ELECTRONIC	
EOM	1467046000	1	SPRING BRAKE PKD	
EOM	1467562000	1	MOTOR MAIN BROOM 24V	
EOM	1464465000	1	BRACKET FRONT LIGHT	[1]
EOM	1464476000	2	KNOB BLACK/YELLOW	
EOM	1464497000	1	SKIRT FRONT	
EOM	1467159000	1	SPARK PLUG NGK R BPR6ES	
EOM	1464535000	1	GASKET RUBBER L.1430MM	
EOM	1467109000	2	LOCK WITH KEY FOR HATCH	
EOM	1467694000	1	DISC BRAKE W/HUB F	
EOM	1464804000	1	CALIPER BRAKE COMPLETE	
EOM	9096960000	1	CARBON BRUSHES KIT 4+2	
EOM	1464919000	1	HOSES HYDRAULIC WITH	
EOM	1464920000	1	CYLINDER KIT	
EOM	1464921000	1	ROD FOR FLAP KIT	
EOM	1464982000	1	SWITCH ELECTROMAGNETIC	
EOM	1466139000	1	PULLEY HTD KIT	
EOM	1467056000	1	HUB MAIN BROOM PKD	
EOM	1465037000	1	PIN HOPPER BEARING KIT	
EOM	1465040000	1	HARDWARE FRONT FLAP KIT	
EOM	1465049000	1	KNOB SIDE BROOM KIT	
EOM	1465052000	1	HARDWARE MAIN BROOM HUB	
EOM	1465095000	1	GASKETS FOR PISTON KIT	
EOM	1465096000	1	GASKETS FOR CYLINDER	
EOM	1465647000	1	PUMP WATER KIT	
EOM	1465175000	1	CHARGER ON BOARD KIT	
EOM	1465177000	1	GEARCASE HYDRAULIC	
EOM	1465273000	1	CABLE LOCK RELEASE	

RECOMMENDED SPARE PARTS

SW4000 B NIL

2017.11.02

2018.12.10

No.	Part No.	Qty.	Description	Part Note
EOM	1465281000	2	BEARING CYLINDRICAL	
EOM	1465314000	1	RING FOR MOTORWHEEL KIT	
EOM	1465355000	1	CAP SOLUTION TANK KIT	
EOM	1465356000	1	HARDWARE DUSTGUARD KIT	
EOM	1465357000	1	HOSES POLYESTER	
EOM	1465358000	1	FITTINGS AND REDUCTIONS	
EOM	1467456000	1	CABLE BRAKE KIT	
EOM	1465396000	1	SKIRTS KIT	
EOM	1465398000	1	SWITCH HOPPER RAISING KIT	
EOM	1465399000	1	SWITCH HOPPER LEAD KIT	
EOM	1465400000	1	SWITCH FW RW KIT	
EOM	1465401000	1	SWITCH DUST GUARD KIT	
EOM	9096959000	1	BALL BEARING KIT	
EOM	9097208000	1	SWITCH ELECTROMAGNETIC	
EOM	9096969000	4	CAP WITH GASKET	
EOM	9100000860	1	FILTER WATER PKD	
EOM	1467023000	1	HUB LEFT MAIN BROOM PKD	
EOM	44905699	1	BEARING BALL 6001 2RS PKD	
EOM	1467024000	1	SPRING PKD	
EOM	1467083000	2	CARBON BRUSH 2 PCS SET	
EOM	145 5539 000	1	MOTOR FILTER SHAKER 90W	
EOM	9100000878	1	FUSE BLADE 3A SIP	
EOM	1467030000	2	BEARING BALL 6003 2RS PKD	
EOM	145 8514 000	3	Fuse 25A	
EOM	1466319000	1	JOINT UNIVERSAL D.17 SIP	
EOM	145 9852 000	1	FUSE 5 AMP	
EOM	145 9854 000	1	Fuse 50A	
EOM	1467034000	1	FUSE BLADE 10A PKD	
EOM	146 0329 000	2	FRONT WHEEL NON MARKING	
EOM	146 0840 000	1	FUSE MEGAFUSE 150A	
EOM	146 0845 000	1	BUTTON	
EOM	146 0846 000	1	BUTTON	
EOM	146 0903 000	2	BALL BEARING	
EOM	146 0986 000	1	SPRING	
EOM	146 1167 000	1	SWITCH	
EOM	146 1317 000	1	SPRING	
EOM	1466683000	1	SWITCH EMERGENCY KIT	
EOM	146 1728 000	1	CONTACT NC	
EOM	1467888000	2	WHEEL SOLID 4.00-4 BLACK SET	
EOM	1466374000	8	KNOB KNURLED M6 FEMALE	
EOM	9100000861	1	NET WATER FILTER	
EOM	909 6622 000	6	RELAY 24V 40A	
EOM	L08603949	1	BRUSH CARBON KIT (4PCS)	
EOM	1464805000	1	PADS BRAKE KIT	
EOM	1465055000	1	PULLEY MAIN BR. MOTOR KIT	
EOM	1464982000	1	SWITCH ELECTROMAGNETIC	

Part Notes:

[1] - SEE TSB-FC-2015-013

No.	Part No.	Qty.	Description	Part Note
	1464951000	1	SKIRT NON MARKING KIT	
	146 0329 000	2	FRONT WHEEL NON MARKING	
	1465313000	1	WHEELS REAR SOLID NON	
	1465170000	1	WHEEL TRACTION NON	
	1464955000	1	TYRE DRIVE FRONT NON	
	1465320000	1	BROOM SIDE PPL 1.0 BLACK	
	1465319000	1	BROOM SIDE MIX 5	
	1464946000	1	BROOM LEFT SIDE MIX STEEL	
	1463854000	1	BROOM MAIN CHEVRON 6R	
	1464947000	1	BROOM MAIN CHEVRON 6R	
	1464189000	1	FILTER PANEL PAPER	
	1464953000	1	DUST GUARD KIT	
	1464958000	1	GUARD RIGHT SIDE BROOM	
	1464959000	1	GUARD LEFT SIDE BROOM KIT	
	1464952000	1	OVERHEAD GUARD KIT	
	1464956000	1	CANOPY KIT	
	1466346000	1	LIGHTS FRONT KIT 24V 70W	
	1464954000	1	BELTS SAFETY KIT	
	33019556	1	ARM REST RIGHT SIDE KIT	
	1464960000	1	ARM REST LEFT SIDE KIT	
	1465175000	1	CHARGER ON BOARD KIT	
	80565000	4	BATT. 6V-255AH WET SEMI	
	80564000	4	BATT. 6V-180AH GEL	[1]
	80564100	4	BATT. 6V-240AH GEL	
	80565200	1	BATTERY TRACTION 24V	
	80565300	1	BATTERY TRACTION 24V	
	1465171000	1	BRACKETS BATTERY FIXING	

Part Notes:

- [1] - DE TSB-FC-2019-033 Exide GEL Batterien
TSB-FC-2019-033 Exide GEL battery

